



BRAKE PAD

P 49 054

The P 49 054 brake pad is synonymous with reliability

The Brembo brake pad guarantees ultimate safety when braking thanks to the use of more than 100 different compounds, designed according to the type of vehicle and use. Stopping distances reduced to a minimum, maximum driving comfort and silent operation are the most important features of Brembo materials. Brembo brake pads are supplied together with an extensive range of accessories and assembly kits for professional-standard installation.

- ✓ OE-equivalent
- ✓ Brembo quality
- ✓ ECE-R90 certificate
- ✓ Safety
- ✓ Performance
- ✓ Comfort
- ✓ With accessories



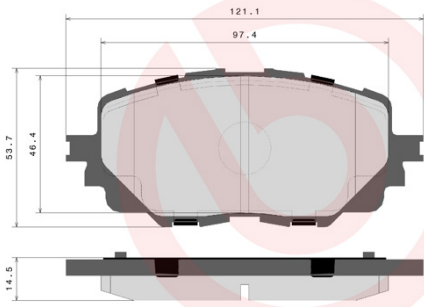



Technical specifications

EAN code	Thickness
8020584084472	15 mm
Width	Height
122 mm	54 mm
Wear indicator	WVA number
Without	22271

Braking system
Advics

Accessories
With accessories
With anti-squeal shim

	P 49 054		407.E672.439
			ANTIRATTLE SPRING 07.E657.008 - X4 
WVA: 22271 QTY: X4			
DATE : 09/09/2022 VERSION : 00			

COMPATIBLE OE PART NUMBERS

0006000615056 ABARTH

0006000615055 FIAT

6000615055 FIAT

68333395AA FIAT

N2Y33328ZA MAZDA

N2Y33328ZB MAZDA

N2Y33328ZC MAZDA

N2Y33328ZD MAZDA

N2Y33329ZB MAZDA

NAYJ3328Z MAZDA

NAYJ3328ZA MAZDA

NAYJ3328ZB MAZDA

NFY03328Z MAZDA
