



BRAKE PAD

P 50 126

The P 50 126 brake pad is synonymous with reliability

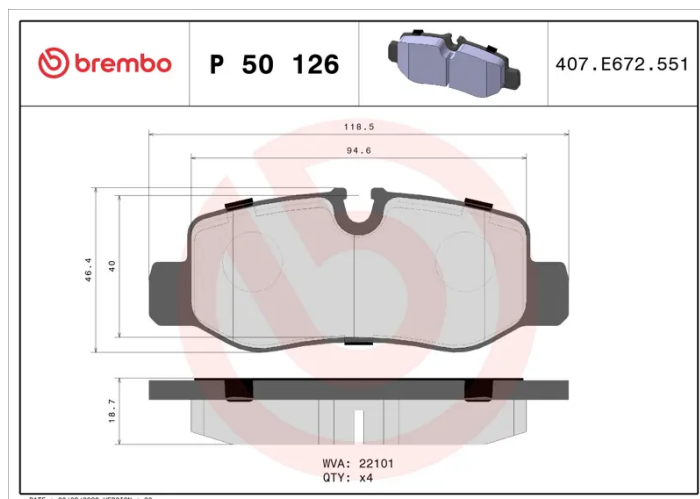
The Brembo brake pad guarantees ultimate safety when braking thanks to the use of more than 100 different compounds, designed according to the type of vehicle and use. Stopping distances reduced to a minimum, maximum driving comfort and silent operation are the most important features of Brembo materials. Brembo brake pads are supplied together with an extensive range of accessories and assembly kits for professional-standard installation.

- ✓ OE-equivalent
- ✓ Brembo quality
- ✓ ECE-R90 certificate
- ✓ Safety
- ✓ Performance
- ✓ Comfort
- ✓ With accessories



Technical specifications

EAN code 8020584080108	Axle Rear	Thickness 18 mm
Width 119 mm	Height 46 mm	Braking system Brembo
Wear indicator Prepared for wear indicator	WVA number 22101	Accessories With accessories With anti-squeal shim With piston clip



COMPATIBLE VEHICLES

COMPATIBLE OE PART NUMBERS

4474200120	MERCEDES-BENZ
4474200320	MERCEDES-BENZ
A4474200120	MERCEDES-BENZ
A447420012028	MERCEDES-BENZ
A4474200320	MERCEDES-BENZ
4474206700	MERCEDES-BENZ (FJDA)
A4474206700	MERCEDES-BENZ (FJDA)