



BRAKE PAD

P 50 163

The P 50 163 brake pad is synonymous with reliability

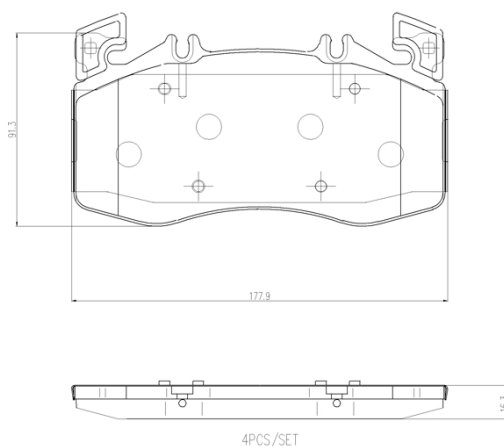
The Brembo brake pad guarantees ultimate safety when braking thanks to the use of more than 100 different compounds, designed according to the type of vehicle and use. Stopping distances reduced to a minimum, maximum driving comfort and silent operation are the most important features of Brembo materials. Brembo brake pads are supplied together with an extensive range of accessories and assembly kits for professional-standard installation.

- ✓ OE-equivalent
- ✓ Brembo quality
- ✓ ECE-R90 certificate
- ✓ Safety
- ✓ Performance
- ✓ Comfort



Technical specifications

EAN code	Axle	Thickness
8020584118221	Front	16 mm
Width	Height	Braking system
178 mm	91 mm	Brembo
Wear indicator	WVA number	Accessories
Prepared for wear indicator	26128	With counterweights With anti-squeal shim



COMPATIBLE VEHICLES

COMPATIBLE OE PART NUMBERS

0004202203	MERCEDES-BENZ
------------	---------------

0004202306	MERCEDES-BENZ
------------	---------------

0004203604	MERCEDES-BENZ
------------	---------------

0004209802	MERCEDES-BENZ
------------	---------------

A0004202203	MERCEDES-BENZ
-------------	---------------

A0004202306	MERCEDES-BENZ
-------------	---------------

A0004202706	MERCEDES-BENZ
-------------	---------------

A0004203604	MERCEDES-BENZ
-------------	---------------

A0004209802	MERCEDES-BENZ
-------------	---------------