



BRAKE PAD

P 61 125

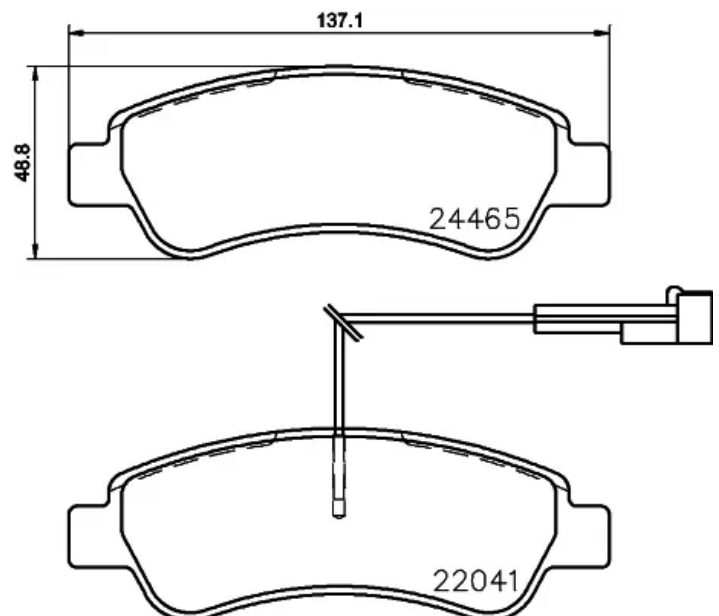
The P 61 125 brake pad is synonymous with reliability

The Brembo brake pad guarantees ultimate safety when braking thanks to the use of more than 100 different compounds, designed according to the type of vehicle and use. Stopping distances reduced to a minimum, maximum driving comfort and silent operation are the most important features of Brembo materials. Brembo brake pads are supplied together with an extensive range of accessories and assembly kits for professional-standard installation.

- ✓ OE-equivalent
- ✓ Brembo quality
- ✓ ECE-R90 certificate
- ✓ Safety
- ✓ Performance
- ✓ Comfort
- ✓ With accessories

Technical specifications

EAN code 8020584080146	Axle Rear	Thickness 19 mm
Width 137 mm	Height 49 mm	Braking system Bosch
Wear indicator Electric	WVA number 24465,22041	Accessories With accessories With anti-squeal shim With brake caliper bolts



COMPATIBLE VEHICLES

COMPATIBLE OE PART NUMBERS

1612434180	CITROËN
------------	---------

1614412180	CITROËN
------------	---------

00000077366679	FIAT
----------------	------

155253632	FIAT
-----------	------

77366679	FIAT
----------	------

77369087	FIAT
----------	------

77369187	FIAT
----------	------

1612434180	PEUGEOT
------------	---------

1614412180	PEUGEOT
------------	---------

1673603480	PEUGEOT
------------	---------

68226919AA	RAM
------------	-----

68351872AA	RAM
------------	-----