



BRAKE PAD

P 65 042

The P 65 042 brake pad is synonymous with reliability

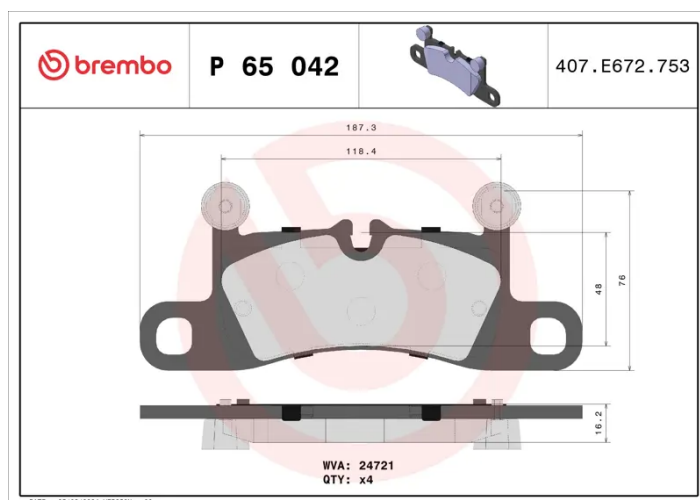
The Brembo brake pad guarantees ultimate safety when braking thanks to the use of more than 100 different compounds, designed according to the type of vehicle and use. Stopping distances reduced to a minimum, maximum driving comfort and silent operation are the most important features of Brembo materials. Brembo brake pads are supplied together with an extensive range of accessories and assembly kits for professional-standard installation.

- ✓ OE-equivalent
- ✓ Brembo quality
- ✓ ECE-R90 certificate
- ✓ Safety
- ✓ Performance
- ✓ Comfort



Technical specifications

EAN code 8020584069660	Axle Rear	Thickness 16 mm
Width 188 mm	Height 76 mm	Braking system Brembo
Wear indicator Prepared for wear indicator	WVA number 25143	Accessories With anti-squeal shim With counterweights



COMPATIBLE VEHICLES

COMPATIBLE OE PART NUMBERS

99135293902 PORSCHE

99135293904 PORSCHE

9Y0698451AD PORSCHE

9Y0698451AE PORSCHE

9Y0698451AF PORSCHE

9Y0698451B PORSCHE

9Y0698451J PORSCHE
