



# BRAKE PAD

## P 66 004

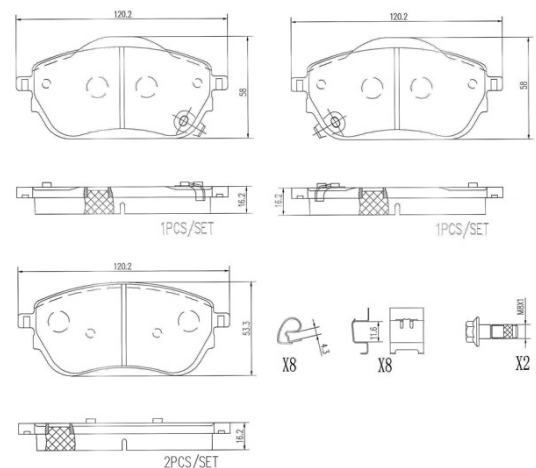
The P 66 004 brake pad is synonymous with reliability

The Brembo brake pad guarantees ultimate safety when braking thanks to the use of more than 100 different compounds, designed according to the type of vehicle and use. Stopping distances reduced to a minimum, maximum driving comfort and silent operation are the most important features of Brembo materials. Brembo brake pads are supplied together with an extensive range of accessories and assembly kits for professional-standard installation.

- ✓ OE-equivalent
- ✓ Brembo quality
- ✓ ECE-R90 certificate
- ✓ Safety
- ✓ Performance
- ✓ Comfort
- ✓ With accessories

### Technical specifications

EAN code <b>8020584115251</b>	Axle <b>Front</b>	Thickness <b>16 mm</b>
Width <b>120 mm</b>	Height <b>53 mm</b>	
Wear indicator <b>Acoustic</b>	Accessories <b>With brake caliper bolts</b> <b>With accessories</b>	



COMPATIBLE VEHICLES

# COMPATIBLE OE PART NUMBERS

PW990525

PROTON

---