



BRAKE DISC

08.A202.10

The **08.A202.10** brake disc is synonymous with reliability

The Brembo brake disc is fully interchangeable with an Original Equipment brake disc. The control of the entire production cycle allows Brembo to offer brake discs with outstanding performance levels, reliability, durability and comfort in all conditions of use. All Brembo brake discs are accompanied by the ECE-R90 homologation.

- ✓ OE-equivalent
- ✓ Brembo quality
- ✓ ECE-R90 certificate
- ✓ Safety
- ✓ Fastening screws



Technical specifications



EAN code
8020584015889

Axle
Rear

Diameter \varnothing
282 mm

Thickness (TH)
12 mm

Height (A)
48 mm

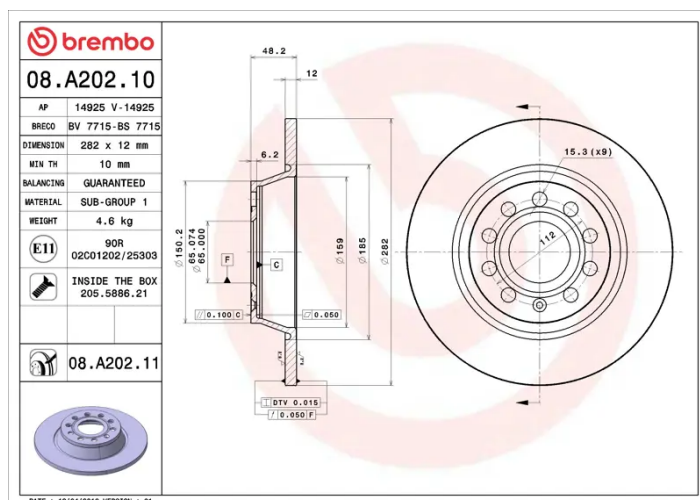
Number of holes (C)
5

Brake disc type
Solid

Centering (B)
65 mm

Min. thickness
10 mm

Tightening torque
120 Nm



COMPATIBLE VEHICLES

COMPATIBLE OE PART NUMBERS

1K0615601AD AUDI

1K0615601M AUDI

5Q0615601G AUDI

L3CD615601 AUDI (FAW)

1K0615601AD SEAT

1K0615601M SEAT

5Q0615601G SEAT

1K0615601AD SKODA

1K0615601M SKODA

5Q0615601G SKODA

5Q0615601Q SKODA

JZW615601F SKODA

1K0615601AD SKODA (SVW)

3CD615601 SKODA (SVW)

1K0615601AD VW

1K0615601M VW

5Q0615601G VW

JZW615601F VW

3CD615601 VW (FAW)

L3CD615601 VW (FAW)

3CD615601 VW (SVW)
