



BRAKE DISC

08.A708.10

The **08.A708.10** brake disc is synonymous with reliability

The Brembo brake disc is fully interchangeable with an Original Equipment brake disc. The control of the entire production cycle allows Brembo to offer brake discs with outstanding performance levels, reliability, durability and comfort in all conditions of use. All Brembo brake discs are accompanied by the ECE-R90 homologation.

- ✓ OE-equivalent
- ✓ Brembo quality
- ✓ ECE-R90 certificate
- ✓ Safety
- ✓ Fastening screws



Technical specifications



EAN code
8020584039618

Axle
Rear

Diameter \varnothing
284 mm

Thickness (TH)
10 mm

Height (A)
54 mm

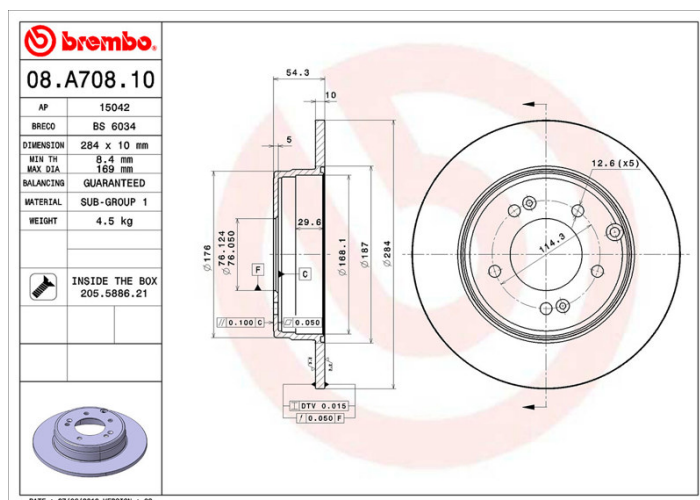
Number of holes (C)
5

Brake disc type
Solid

Centering (B)
76 mm

Min. thickness
8,4 mm

Tightening torque
100 Nm



COMPATIBLE VEHICLES

COMPATIBLE OE PART NUMBERS

584113K100	HYUNDAI
------------	---------

584113K110	HYUNDAI
------------	---------

584113S100	HYUNDAI
------------	---------

5584113K100	HYUNDAI
-------------	---------

5584113K110	HYUNDAI
-------------	---------

584113K100	KIA
------------	-----

584113S100	KIA
------------	-----

58411K110	KIA
-----------	-----