



# BRAKE DISC PAINTED

## 08.B601.11

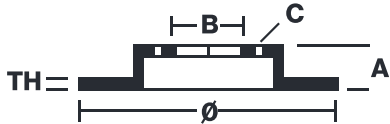
The **08.B601.11** painted brake disc is synonymous with reliability

The Brembo brake disc with special UV paint treatment guarantees superior corrosion resistance for the product, thanks to the protective coating on the outer edges and on the disc hub. The UV paint not only gives the disc a clean, shiny appearance but is also beneficial for the environment as the water-based UV paint treatment does not require the use of chemical solvents and is a low energy consumption process.

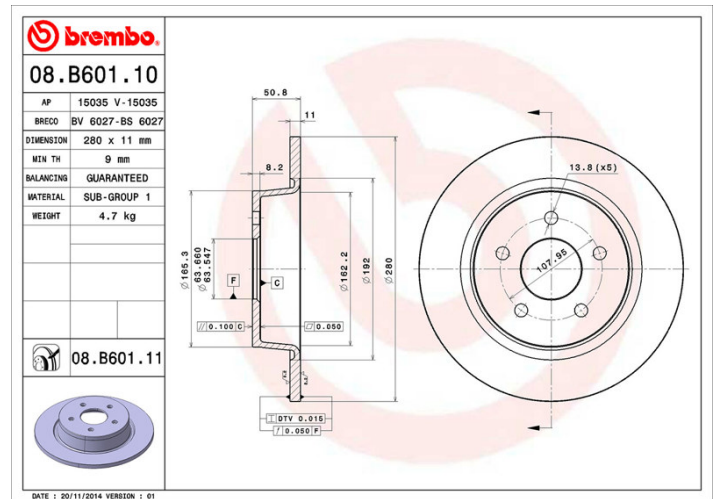
- ✓ OE-equivalent
- ✓ Brembo quality
- ✓ ECE-R90 certificate
- ✓ Safety
- ✓ Anti-corrosion



### Technical specifications



EAN code <b>8020584216439</b>	Axle <b>Rear</b>	Diameter Ø <b>280 mm</b>
Thickness (TH) <b>11 mm</b>	Height (A) <b>51 mm</b>	Number of holes (C) <b>5</b>
Brake disc type <b>Solid</b>	Centering (B) <b>64 mm</b>	Min. thickness <b>9 mm</b>
Tightening torque <b>90 Nm</b>		



**COMPATIBLE VEHICLES**

## COMPATIBLE OE PART NUMBERS

1683383	FORD
1683384	FORD
1829615	FORD
AV612A315AA	FORD
AV612A315BA	FORD
CV6Z2C026B	FORD
CV6Z2C026C	FORD
DV612A315AB	FORD
DV612A315BA	FORD
DV6Z2C026A	FORD
CV6Z2C026C	FORD USA