



BRAKE DISC XTRA

08.C172.1X

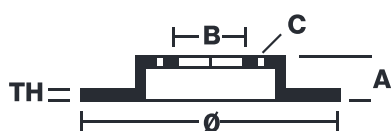
The 08.C172.1X Xtra brake disc is synonymous with reliability

The Brembo Xtra brake disc features holes on the braking surface. The holes are designed to improve the cooling of the braking system, to generate greater fading resistance and grip in the initial stages of braking. The sports look is also enhanced by the presence of the UV paint.

- ✓ Brembo quality
- ✓ ECE-R90 certificate
- ✓ Performance
- ✓ Sports driving
- ✓ Sporty look
- ✓ Anti-corrosion
- ✓ Fastening screws



Technical specifications



EAN code
8020584032688

Axle
Rear

Diameter \varnothing
262 mm

Thickness (TH)
10 mm

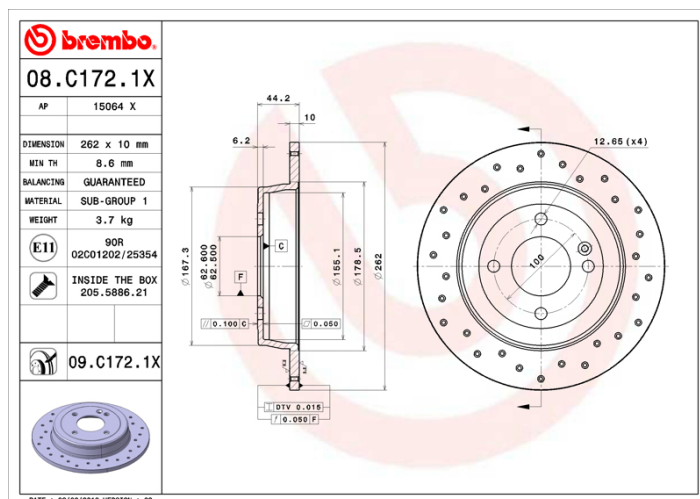
Height (A)
44 mm

Number of holes (C)
4

Brake disc type
Solid

Centering (B)
63 mm

Min. thickness
8,6 mm



COMPATIBLE VEHICLES

COMPATIBLE OE PART NUMBERS

584110U300	HYUNDAI
------------	---------

58411C8000	HYUNDAI
------------	---------

5584110U300	HYUNDAI
-------------	---------

584110U300	KIA
------------	-----

5584110U300	KIA
-------------	-----
