



BRAKE DISC PAINTED

08.D220.11

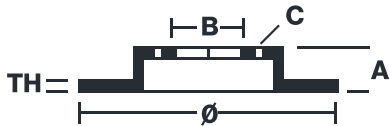
The 08.D220.11 painted brake disc is synonymous with reliability

The Brembo brake disc with special UV paint treatment guarantees superior corrosion resistance for the product, thanks to the protective coating on the outer edges and on the disc hub. The UV paint not only gives the disc a clean, shiny appearance but is also beneficial for the environment as the water-based UV paint treatment does not require the use of chemical solvents and is a low energy consumption process.

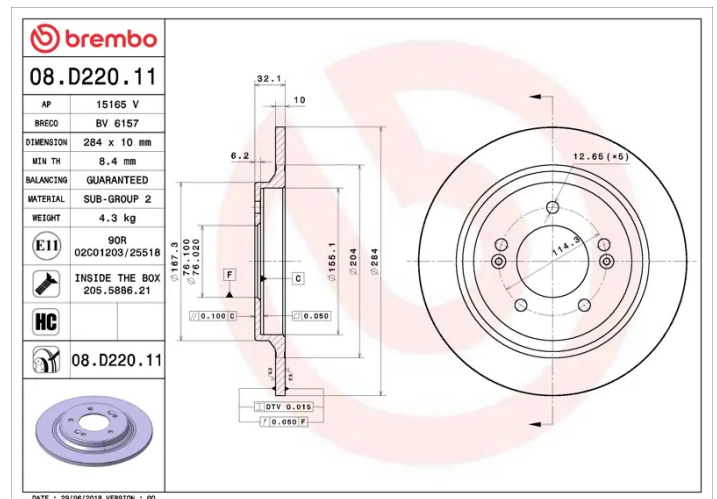
- ✓ OE-equivalent
- ✓ Brembo quality
- ✓ ECE-R90 certificate
- ✓ Safety
- ✓ High carbon
- ✓ Anti-corrosion
- ✓ Fastening screws



Technical specifications



EAN code 8020584235669	Axle Rear	Diameter Ø 284 mm
Thickness (TH) 10 mm	Height (A) 32 mm	Number of holes (C) 5
Brake disc type Solid	Centering (B) 76 mm	Min. thickness 8,4 mm



COMPATIBLE VEHICLES

COMPATIBLE OE PART NUMBERS

584113V500	HYUNDAI
5584113V500	HYUNDAI
584113V500	HYUNDAI (BEIJING)
584113Q000	KIA
584113R700	KIA
584113V500	KIA
5584113V500	KIA
584113V500	KIA (DYK)