



# BRAKE DISC

## 09.9574.20

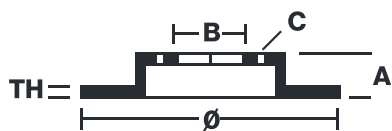
The **09.9574.20** brake disc is synonymous with reliability

The Brembo brake disc is fully interchangeable with an Original Equipment brake disc. The control of the entire production cycle allows Brembo to offer brake discs with outstanding performance levels, reliability, durability and comfort in all conditions of use. All Brembo brake discs are accompanied by the ECE-R90 homologation.

- ✓ OE-equivalent
- ✓ Brembo quality
- ✓ ECE-R90 certificate
- ✓ Safety



### Technical specifications



EAN code  
**8020584957424**

Axle  
**Front**

Diameter Ø  
**280** mm

Thickness (TH)  
**26** mm

Height (A)  
**47** mm

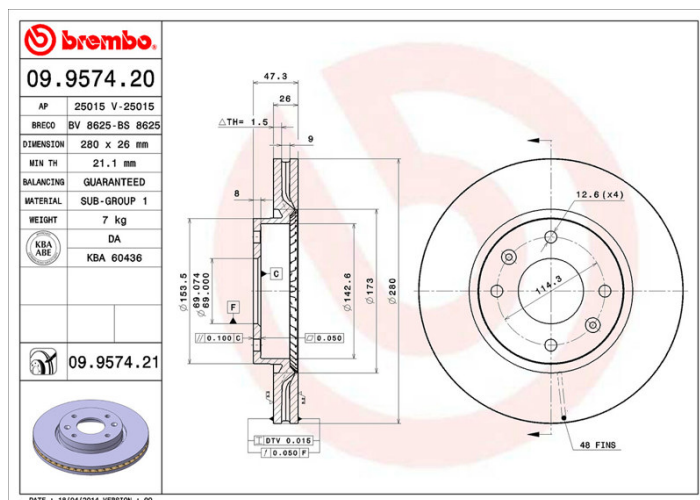
Number of holes (C)  
**4**

Brake disc type  
**Ventilated**

Centering (B)  
**69** mm

Min. thickness  
**21,1** mm

Tightening torque  
**100** Nm



COMPATIBLE VEHICLES

## COMPATIBLE OE PART NUMBERS

517123D100	HYUNDAI
517123D300	HYUNDAI
517123L050	HYUNDAI
517123L060	HYUNDAI
5171209000	HYUNDAI (BEIJING)
H5171209000	HYUNDAI (BEIJING)
5171209000	KIA
517123C000	KIA
517123C100	KIA
517123L050	KIA
517123L060	KIA
5171209000	KIA (DYK)