



# BRAKE DISC PAINTED

## 09.A334.11

The 09.A334.11 painted brake disc is synonymous with reliability

The Brembo brake disc with special UV paint treatment guarantees superior corrosion resistance for the product, thanks to the protective coating on the outer edges and on the disc hub. The UV paint not only gives the disc a clean, shiny appearance but is also beneficial for the environment as the water-based UV paint treatment does not require the use of chemical solvents and is a low energy consumption process.

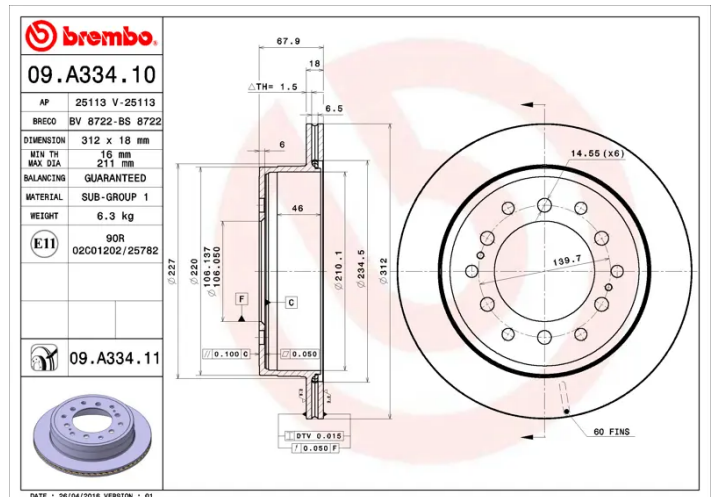
- ✓ OE-equivalent
- ✓ Brembo quality
- ✓ ECE-R90 certificate
- ✓ Safety
- ✓ Anti-corrosion



### Technical specifications



EAN code <b>8020584031650</b>	Axle <b>Rear</b>	Diameter Ø <b>312 mm</b>
Thickness (TH) <b>18 mm</b>	Height (A) <b>68 mm</b>	Number of holes (C) <b>6</b>
Brake disc type <b>Ventilated</b>	Centering (B) <b>106 mm</b>	Min. thickness <b>16 mm</b>
Tightening torque <b>112 Nm</b>		



**COMPATIBLE VEHICLES**

## COMPATIBLE OE PART NUMBERS

4243160170	LEXUS
------------	-------

4243160201	LEXUS
------------	-------

4243160270	LEXUS
------------	-------

4243160080	TOYOTA
------------	--------

4243160130	TOYOTA
------------	--------

4243160190	TOYOTA
------------	--------

4243160200	TOYOTA
------------	--------

4243160201	TOYOTA
------------	--------

4243160270	TOYOTA
------------	--------

4243160200	TOYOTA (FAW)
------------	--------------

4243160201	TOYOTA (FAW)
------------	--------------