



# BRAKE DISC

## 09.A417.10

The **09.A417.10** brake disc is synonymous with reliability

The Brembo brake disc is fully interchangeable with an Original Equipment brake disc. The control of the entire production cycle allows Brembo to offer brake discs with outstanding performance levels, reliability, durability and comfort in all conditions of use. All Brembo brake discs are accompanied by the ECE-R90 homologation.

- ✓ OE-equivalent
- ✓ Brembo quality
- ✓ ECE-R90 certificate
- ✓ Safety



### Technical specifications



EAN code  
**8020584022481**

Axle  
**Front**

Diameter  $\varnothing$   
**296 mm**

Thickness (TH)  
**28 mm**

Height (A)  
**49 mm**

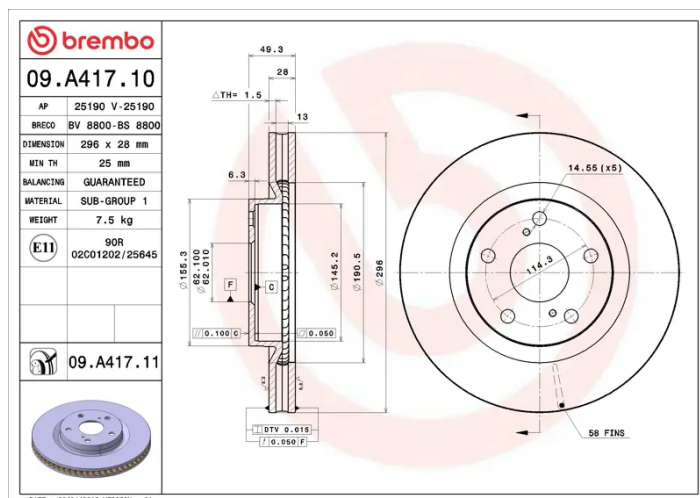
Number of holes (C)  
**5**

Brake disc type  
**Ventilated**

Centering (B)  
**62 mm**

Min. thickness  
**25 mm**

Tightening torque  
**103 Nm**



COMPATIBLE VEHICLES

## COMPATIBLE OE PART NUMBERS

1014011607	EMGRAND
4048013700	EMGRAND
1014011607	ENGLON
4048013700	ENGLON
1014011607	GEELY
4048013700	GEELY
1014011607	GLEAGLE
4048013700	GLEAGLE
4351233130	LEXUS
4351233140	LEXUS
4351202250	TOYOTA
4351206090	TOYOTA
4351206120	TOYOTA
4351206121	TOYOTA
4351206140	TOYOTA
4351233130	TOYOTA
4351233140	TOYOTA
4351242050	TOYOTA
4351242090	TOYOTA
4351242100	TOYOTA
435120R030	TOYOTA (FAW)