



# BRAKE DISC XTRA

## 09.A532.1X

The 09.A532.1X Xtra brake disc is synonymous with reliability

The Brembo Xtra brake disc features holes on the braking surface. The holes are designed to improve the cooling of the braking system, to generate greater fading resistance and grip in the initial stages of braking. The sports look is also enhanced by the presence of the UV paint.

- ✓ Brembo quality
- ✓ ECE-R90 certificate
- ✓ Performance
- ✓ Sports driving
- ✓ Sporty look
- ✓ High carbon
- ✓ Anti-corrosion
- ✓ Fastening screws



### Technical specifications



EAN code  
**8020584225738**

Axle  
**Front**

Diameter Ø  
**300 mm**

Thickness (TH)  
**28 mm**

Height (A)  
**47 mm**

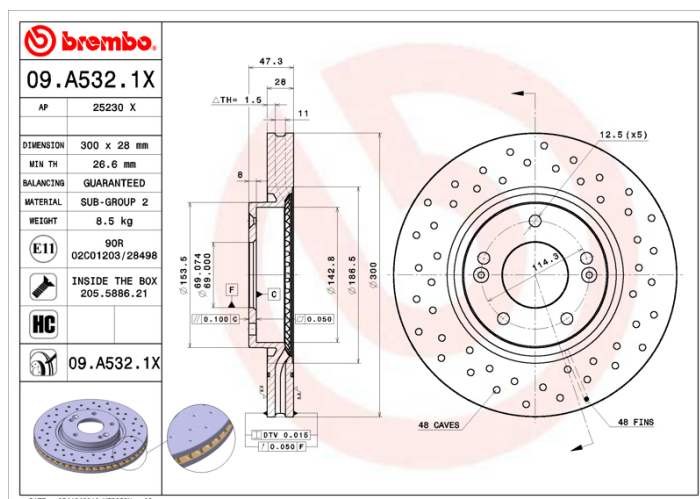
Number of holes (C)  
**5**

Brake disc type  
**Ventilated**

Centering (B)  
**69 mm**

Min. thickness  
**26,6 mm**

Tightening torque  
**100 Nm**



COMPATIBLE VEHICLES

## COMPATIBLE OE PART NUMBERS

517122Y000	HYUNDAI
------------	---------

517123K100	HYUNDAI
------------	---------

517123K110	HYUNDAI
------------	---------

517123K150	HYUNDAI
------------	---------

517123K160	HYUNDAI
------------	---------

SS17123K160A	HYUNDAI
--------------	---------

517122Y000	KIA
------------	-----

517123K100	KIA
------------	-----

517123K110	KIA
------------	-----

517123K150	KIA
------------	-----

517123K160	KIA
------------	-----

SS17123K160	KIA
-------------	-----

SS17123K160A	KIA
--------------	-----