



BRAKE DISC

09.A971.10

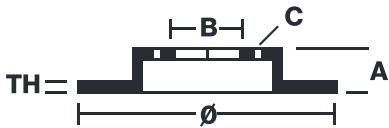
The **09.A971.10** brake disc is synonymous with **reliability**

The Brembo brake disc is fully interchangeable with an Original Equipment brake disc. The control of the entire production cycle allows Brembo to offer brake discs with outstanding performance levels, reliability, durability and comfort in all conditions of use. All Brembo brake discs are accompanied by the ECE-R90 homologation.

- ✓ OE-equivalent
- ✓ Brembo quality
- ✓ ECE-R90 certificate
- ✓ Safety
- ✓ High carbon
- ✓ Fastening screws



Technical specifications



EAN code
8020584025833

Axle
Front

Diameter Ø
321 mm

Thickness (TH)
30 mm

Height (A)
51 mm

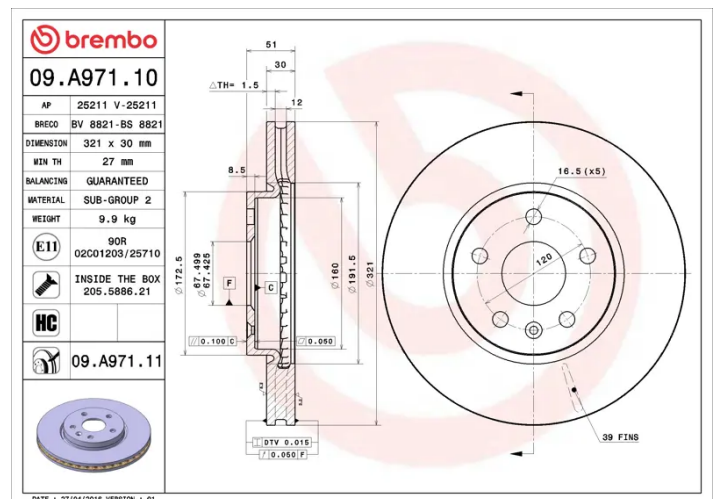
Number of holes (C)
5

Brake disc type
Ventilated

Centering (B)
67 mm

Min. thickness
27 mm

Tightening torque
150 Nm



COMPATIBLE VEHICLES

COMPATIBLE OE PART NUMBERS

23118530	BUICK
13501297	BUICK (SGM)
13501308	BUICK (SGM)
13501320	BUICK (SGM)
13501308	CHEVROLET
13501320	CHEVROLET
23118055	CHEVROLET
23118530	CHEVROLET
13501320	CHEVROLET (SGM)
23118055	GMC
13501308	OPEL
13502214	OPEL
13579150	OPEL
569064	OPEL
569083	OPEL
569422	OPEL
13501320	ROEWE (SAIC)
13502214	SAAB
13501308	VAUXHALL
13502214	VAUXHALL
13579150	VAUXHALL