



# BRAKE DISC XTRA

## 09.B270.1X

The 09.B270.1X Xtra brake disc is synonymous with reliability

The Brembo Xtra brake disc features holes on the braking surface. The holes are designed to improve the cooling of the braking system, to generate greater fading resistance and grip in the initial stages of braking. The sports look is also enhanced by the presence of the UV paint.

- ✓ Brembo quality
- ✓ ECE-R90 certificate
- ✓ Performance
- ✓ Sports driving
- ✓ Sporty look
- ✓ High carbon
- ✓ Anti-corrosion
- ✓ Fastening screws



### Technical specifications



EAN code  
**8020584225486**

Axle  
**Front**

Diameter Ø  
**296 mm**

Thickness (TH)  
**25 mm**

Height (A)  
**47 mm**

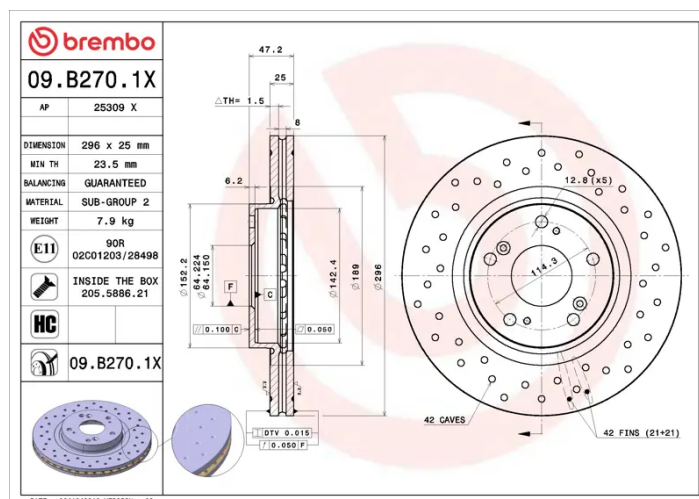
Number of holes (C)  
**5**

Brake disc type  
**Ventilated**

Centering (B)  
**64 mm**

Min. thickness  
**23,5 mm**

Tightening torque  
**108 Nm**



COMPATIBLE VEHICLES

## COMPATIBLE OE PART NUMBERS

45251TL1G00	HONDA
-------------	-------

---

45251TL1G01	HONDA
-------------	-------

---