



BRAKE DISC PAINTED

09.B969.11

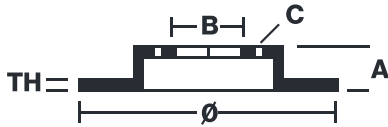
The 09.B969.11 painted brake disc is synonymous with reliability

The Brembo brake disc with special UV paint treatment guarantees superior corrosion resistance for the product, thanks to the protective coating on the outer edges and on the disc hub. The UV paint not only gives the disc a clean, shiny appearance but is also beneficial for the environment as the water-based UV paint treatment does not require the use of chemical solvents and is a low energy consumption process.

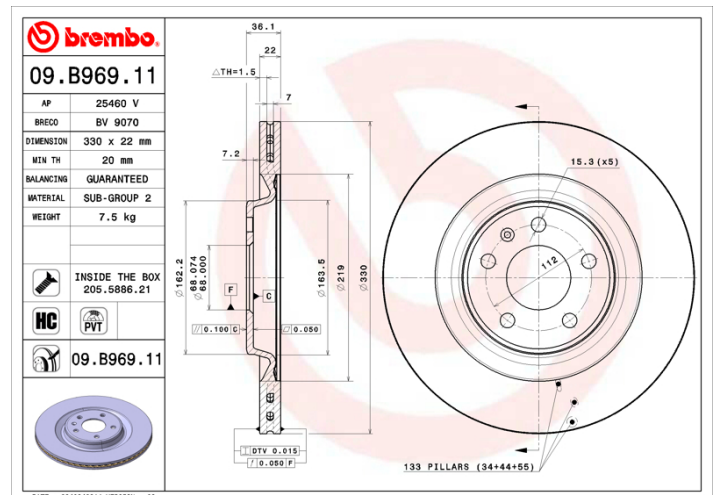


- ✓ OE-equivalent
- ✓ Brembo quality
- ✓ ECE-R90 certificate
- ✓ Safety
- ✓ High carbon
- ✓ Anti-corrosion
- ✓ PVT ventilation
- ✓ Fastening screws

Technical specifications



EAN code	Axle	Diameter \varnothing
8020584218396	Front and rear	330 mm
Thickness (TH)	Height (A)	Number of holes (C)
22 mm	36 mm	5
Brake disc type	Centering (B)	Min. thickness
Ventilated	68 mm	20 mm



COMPATIBLE VEHICLES

COMPATIBLE OE PART NUMBERS

4H0615601D AUDI

4H0615601H AUDI

4H0615601K AUDI

4H0615601Q AUDI

80A615601A AUDI

80A615601C AUDI

8W0615601E AUDI

8W0615601K AUDI

4H0615601H AUDI (FAW)

4H0615601K AUDI (FAW)

4H0615601Q AUDI (FAW)

80D615601 AUDI (FAW)

8W0615601E AUDI (FAW)

8W0615601K AUDI (FAW)

L80D615601 AUDI (FAW)

95B615601A PORSCHE

95B615601F PORSCHE

95B615601G PORSCHE

4H0615601Q VW

8W0615601K VW

4H0615601K VW (SVW)

4H0615601Q VW (SVW)
