



BRAKE DISC PAINTED

09.C245.11

The 09.C245.11 painted brake disc is synonymous with reliability

The Brembo brake disc with special UV paint treatment guarantees superior corrosion resistance for the product, thanks to the protective coating on the outer edges and on the disc hub. The UV paint not only gives the disc a clean, shiny appearance but is also beneficial for the environment as the water-based UV paint treatment does not require the use of chemical solvents and is a low energy consumption process.

- ✓ OE-equivalent
- ✓ Brembo quality
- ✓ ECE-R90 certificate
- ✓ Safety
- ✓ High carbon
- ✓ Anti-corrosion
- ✓ Fastening screws



Technical specifications



EAN code
8020584222416

Axle
Front

Diameter Ø
320 mm

Thickness (TH)
28 mm

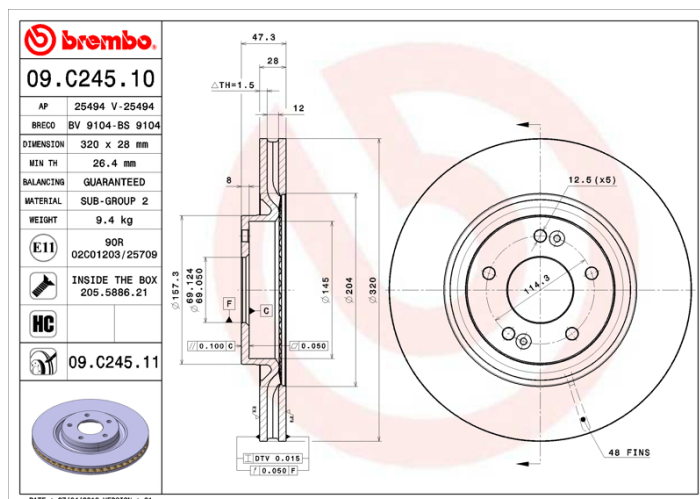
Height (A)
47 mm

Number of holes (C)
5

Brake disc type
Ventilated

Centering (B)
69 mm

Min. thickness
26,4 mm



COMPATIBLE VEHICLES

COMPATIBLE OE PART NUMBERS

517122T000	HYUNDAI
------------	---------

517122T100	HYUNDAI
------------	---------

51712D7100	HYUNDAI
------------	---------

SS17122T100	HYUNDAI
-------------	---------

517122T100	KIA
------------	-----

517124C000	KIA
------------	-----

51712D7100	KIA
------------	-----

SS17122T100	KIA
-------------	-----