



BRAKE DISC PAINTED

09.C249.11

The 09.C249.11 painted brake disc is synonymous with reliability

The Brembo brake disc with special UV paint treatment guarantees superior corrosion resistance for the product, thanks to the protective coating on the outer edges and on the disc hub. The UV paint not only gives the disc a clean, shiny appearance but is also beneficial for the environment as the water-based UV paint treatment does not require the use of chemical solvents and is a low energy consumption process.

- ✓ OE-equivalent
- ✓ Brembo quality
- ✓ ECE-R90 certificate
- ✓ Safety
- ✓ High carbon
- ✓ Anti-corrosion
- ✓ Fastening screws



Technical specifications



EAN code
8020584212745

Axle
Front

Diameter Ø
280 mm

Thickness (TH)
23 mm

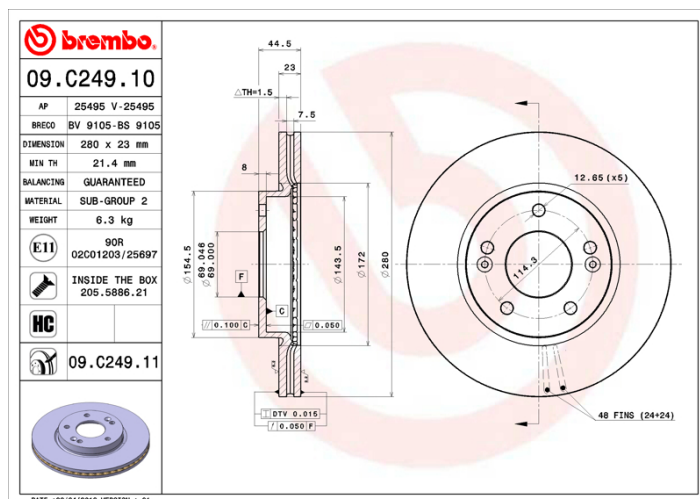
Height (A)
45 mm

Number of holes (C)
5

Brake disc type
Ventilated

Centering (B)
69 mm

Min. thickness
21,4 mm



COMPATIBLE VEHICLES

COMPATIBLE OE PART NUMBERS

517122V000	HYUNDAI
517123X000	HYUNDAI
517123Y000	HYUNDAI
517124V000	HYUNDAI
51712A6000	HYUNDAI
5517122V000	HYUNDAI
517124V000	HYUNDAI (BEIJING)
517122V000	KIA
51712A6000	KIA
51712A7000	KIA
551712A6000E	KIA
517124V000	KIA (DYK)