



# BRAKE DISC PAINTED

## 09.N235.21

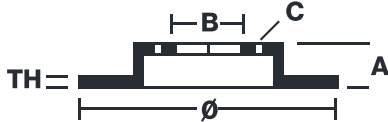
The 09.N235.21 painted brake disc is synonymous with reliability

The Brembo brake disc with special UV paint treatment guarantees superior corrosion resistance for the product, thanks to the protective coating on the outer edges and on the disc hub. The UV paint not only gives the disc a clean, shiny appearance but is also beneficial for the environment as the water-based UV paint treatment does not require the use of chemical solvents and is a low energy consumption process.

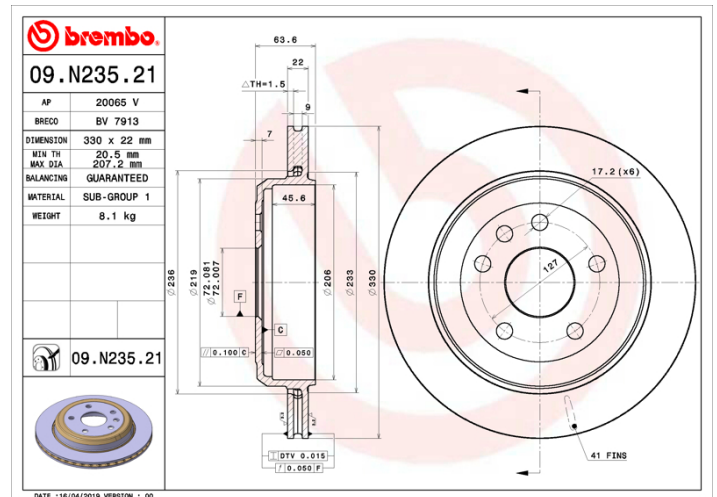
- ✓ OE-equivalent
- ✓ Brembo quality
- ✓ ECE-R90 certificate
- ✓ Safety
- ✓ Anti-corrosion



### Technical specifications



EAN code	Axle	Diameter Ø
<b>8020584238950</b>	<b>Rear</b>	<b>330 mm</b>
Thickness (TH)	Height (A)	Number of holes (C)
<b>22 mm</b>	<b>64 mm</b>	<b>6</b>
Brake disc type	Centering (B)	Min. thickness
<b>Ventilated</b>	<b>72 mm</b>	<b>20,5 mm</b>



**COMPATIBLE VEHICLES**

## COMPATIBLE OE PART NUMBERS

68035022AB DODGE

---

00K68035022AB JEEP

---

00K68035022AC JEEP

---

00K68035022AD JEEP

---

00K68035022AE JEEP

---

2AMV5022AD JEEP

---

68035022AB JEEP

---

68035022AC JEEP

---

68035022AD JEEP

---

68035022AE JEEP

---

68040048AA JEEP

---

68240048AA JEEP

---