



BEYOND GREENANCE KIT KT 10 001

Greenance Kit KT 10 001: fewer emissions and lower maintenance costs

The Greenance Kit consists of a brake disc and a brake pad made with latest-generation materials. It is Brembo's new solution to reduce fine particulate emissions (PM10 and PM2.5) and to prolong the life of components, while retaining the superior performance levels of all Brembo products. Brembo Beyond Greenance Kit combines superior braking performance with a smaller environmental footprint, while at the same time prolonging the durability of brake discs and lowering maintenance costs.



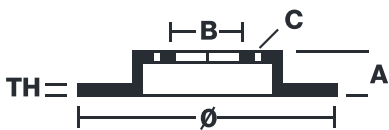
- ✓ Brembo quality
- ✓ ECE-R90 certificate
- ✓ Comfort
- ✓ Durability
- ✓ Dust reduction
- ✓ Anti-corrosion
- ✓ Kit
- ✓ Green packaging

Kit information

EAN code Brake discs per box Brake pads per box
8432509503430 **2** **4**

Axle
Front

Brake disc technical specifications



Diameter	Thickness (TH)	Height (A)
280 mm	24 mm	67,5 mm
Number of holes (C)	Brake disc type	Centering (B)
5	Solid	73 mm

Min. thickness

09.8931.2G

DIMENSION	280 x 24 mm
MIN TH	21.9 mm
BALANCING	GUARANTEED
MATERIAL	SUB-GROUP 2
WEIGHT	7.5 kg
E11	90R 02C01203/65874
INSIDE THE BOX	205.5732.91
HC	PVT
09.8931.2G	

with thickness
21,9 mm

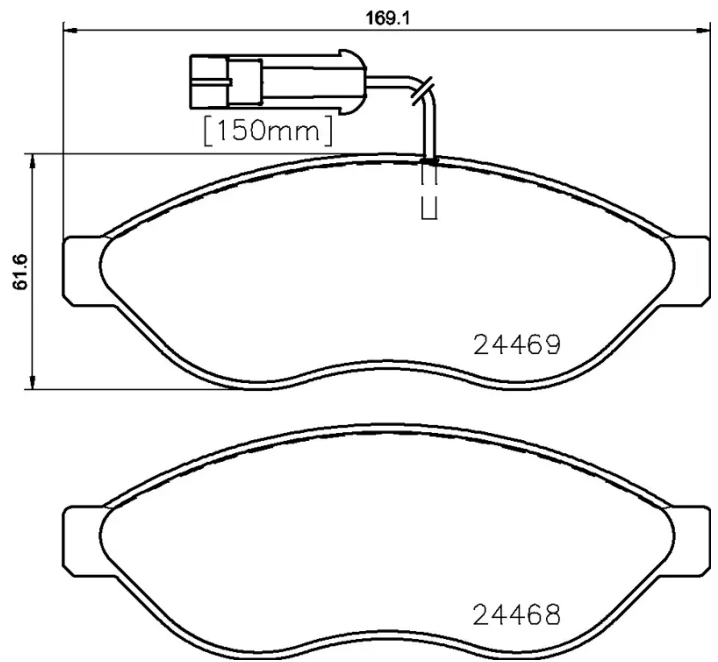
DATE : 16/07/2022 VERSION : 00

Brake pad technical specifications

Thickness	Width	Height
24 mm	169 mm	62 mm
Braking system	Wear indicator	WVA number
Brembo	Electric	24468,24469

Accessories

With accessories
With anti-squeal shim
With brake caliper bolts



COMPATIBLE VEHICLES

COMPATIBLE OE PART NUMBERS

1611457380	CITROËN
1612433880	CITROËN
1617273980	CITROËN
1623842380	CITROËN
1647863880	CITROËN
425355	CITROËN
425356	CITROËN
425461	CITROËN
E172301	CITROËN
71770026	FIAT
77364014	FIAT
77366017	FIAT
77367092	FIAT
77368452	FIAT
1647863980	OPEL
1607878380	PEUGEOT
1611457380	PEUGEOT
1611839180	PEUGEOT
1612433880	PEUGEOT
1617273980	PEUGEOT
1623842380	PEUGEOT
1647863880	PEUGEOT
1647864080	PEUGEOT
425355	PEUGEOT
425356	PEUGEOT
425461	PEUGEOT
E172301	PEUGEOT