



DRUM

14.3152.10

The 14.3152.10 drum is synonymous with reliability

Brembo has developed several design solutions for drum brakes which combine multiple materials to reduce the overall weight. The most popular range of lamellar graphite cast iron drums is supplemented by cast iron drums with a steel sprocket flange and aluminium drums, whereby only the inner part of the drum on which the shoes operate are made of lamellar cast iron, namely the brake band. Additionally drums with built-in bearing kit and hub are added to this range.



- ✓ OE-equivalent
- ✓ Brembo quality
- ✓ Safety
- ✓ Durability

Technical specifications



EAN code
8020584315217

Axle
Rear

Diameter
185 mm

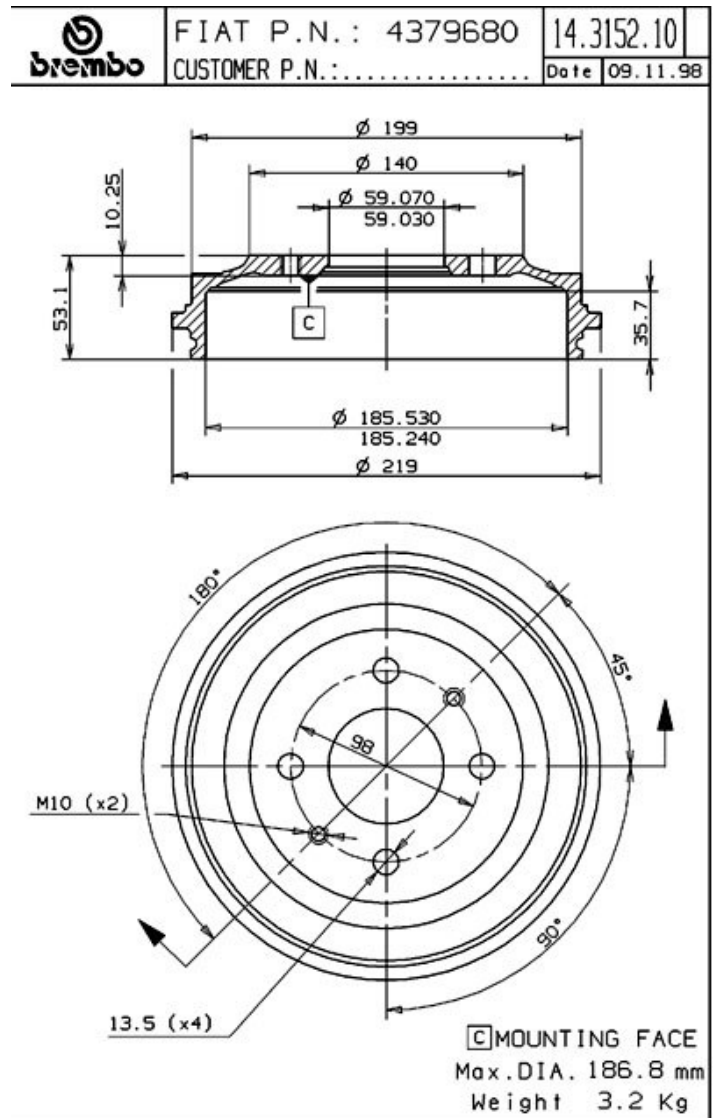
Width
35,7 mm

Height
53,1

Number of holes
4

Centering
59 mm

Max diameter
186,8 mm



COMPATIBLE VEHICLES

COMPATIBLE OE PART NUMBERS

4379680	AUTOBIANCHI
4379680	FIAT
5975061	FIAT
7777842	FIAT
4379680	INNOCENTI
4379680	LANCIA
5975061	LANCIA
4379680	SEAT
SE022165201A	SEAT
4373614	ZASTAVA
4379680	ZASTAVA