



DRUM

14.3231.10

The 14.3231.10 drum is synonymous with reliability

Brembo has developed several design solutions for drum brakes which combine multiple materials to reduce the overall weight. The most popular range of lamellar graphite cast iron drums is supplemented by cast iron drums with a steel sprocket flange and aluminium drums, whereby only the inner part of the drum on which the shoes operate are made of lamellar cast iron, namely the brake band. Additionally drums with built-in bearing kit and hub are added to this range.

- ✓ OE-equivalent
- ✓ Brembo quality
- ✓ Safety
- ✓ Durability



Technical specifications



EAN code
8020584323113

Axle
Front

Diameter
248 mm

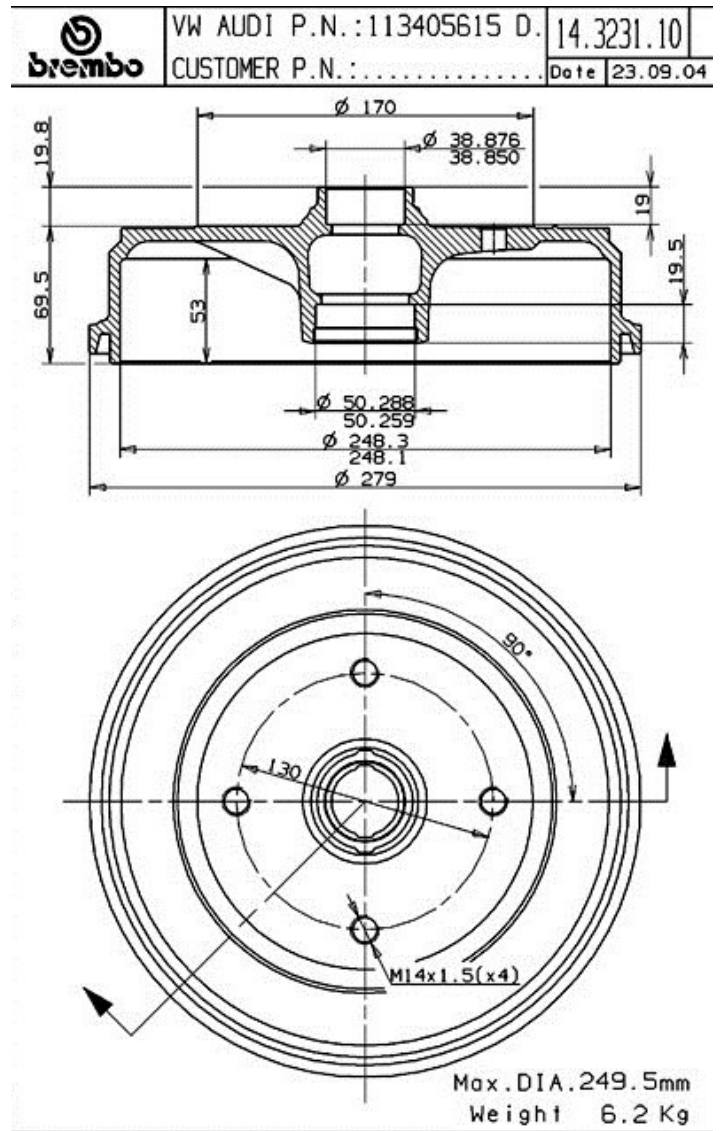
Width
53 mm

Height
89,3

Number of holes
4

Centering
39,9 mm

Max diameter
249,5 mm



COMPATIBLE VEHICLES

COMPATIBLE OE PART NUMBERS

113405615B	VW
113405615D	VW
113405615H	VW