



# BRAKE PAD PRIME CERAMIC P06037N

The P06037N NAO brake pad is synonymous with reliability

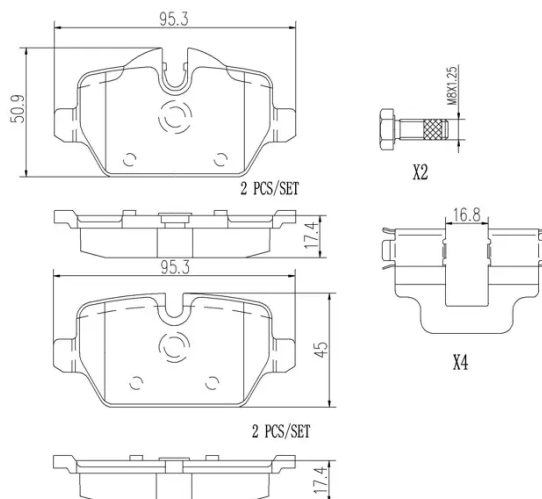
Brembo NAO brake pads stand out for their ultimate braking comfort, reduced friction wear and low dust mission, which makes for cleaner rims and reduced maintenance requirements. The advanced friction material in keeping with the strictest environmental standards is the main distinguishing feature of NAO compounds.

- ✓ OE-equivalent
- ✓ Brembo quality
- ✓ Safety
- ✓ Comfort
- ✓ Durability
- ✓ Dust reduction
- ✓ With accessories



## Technical specifications

EAN code <b>8020584087909</b>	Axle <b>Rear</b>	Thickness <b>17 mm</b>
Width <b>95 mm</b>	Height <b>45 mm</b>	Braking system <b>Lucas</b>
Wear indicator <b>Prepared for wear indicator</b>	WVA number <b>23623,23624</b>	Accessories <b>With brake caliper bolts</b> <b>With accessories</b> <b>With anti-squeal shim</b>



COMPATIBLE VEHICLES

## COMPATIBLE OE PART NUMBERS

34121288889	BMW
34121288890	BMW
34212288889	BMW
34212288890	BMW
34216767145	BMW
34216767146	BMW
34216774417	BMW
34216777240	BMW
34216779294	BMW
34216788183	BMW
34212288889	BMW (BRILLIANCE)