



BRAKE PAD PRIME CERAMIC P06075N

The P06075N NAO brake pad is synonymous with reliability

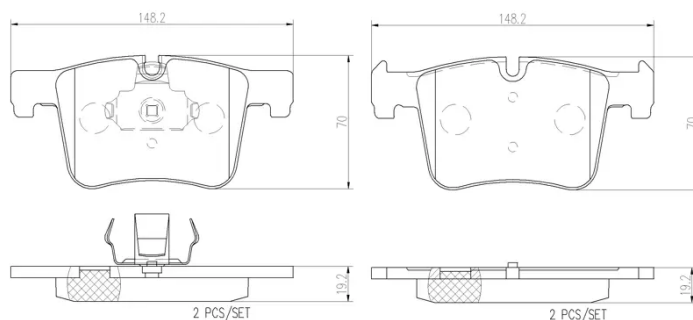
Brembo NAO brake pads stand out for their ultimate braking comfort, reduced friction wear and low dust mission, which makes for cleaner rims and reduced maintenance requirements. The advanced friction material in keeping with the strictest environmental standards is the main distinguishing feature of NAO compounds.

- ✓ OE-equivalent
- ✓ Brembo quality
- ✓ Safety
- ✓ Comfort
- ✓ Durability
- ✓ Dust reduction
- ✓ With accessories



Technical specifications

EAN code 8020584081457	Axle Front	Thickness 19 mm
Width 148 mm	Height 70 mm	Braking system Bosch
Wear indicator Prepared for wear indicator	WVA number 25199,25200	Accessories With anti-squeal shim With piston clip



COMPATIBLE VEHICLES

COMPATIBLE OE PART NUMBERS

34106799801 BMW

34106856191 BMW

34106859181 BMW

34106859182 BMW

34112456867 BMW

34112456868 BMW

34112464194 BMW

34114073936 BMW

34116798978 BMW

34116854126 BMW

34116856193 BMW

34118855010 BMW

8855010 BMW
