

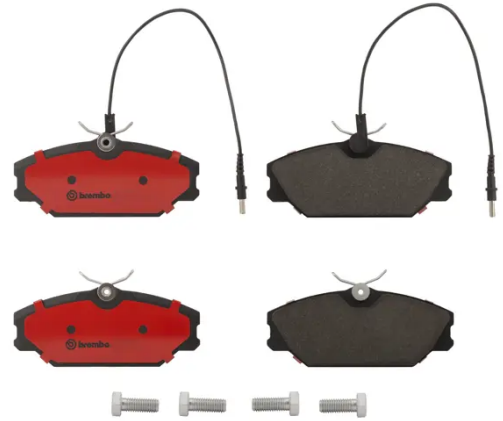


BRAKE PAD PRIME CERAMIC P68014N

The P68014N NAO brake pad is synonymous with reliability

Brembo NAO brake pads stand out for their ultimate braking comfort, reduced friction wear and low dust mission, which makes for cleaner rims and reduced maintenance requirements. The advanced friction material in keeping with the strictest environmental standards is the main distinguishing feature of NAO compounds.

- ✓ OE-equivalent
- ✓ Brembo quality
- ✓ Safety
- ✓ Comfort
- ✓ Durability
- ✓ Dust reduction
- ✓ With accessories



Technical specifications

EAN code
8020584086667

Axle
Front

Thickness
18 mm

Width
130 mm

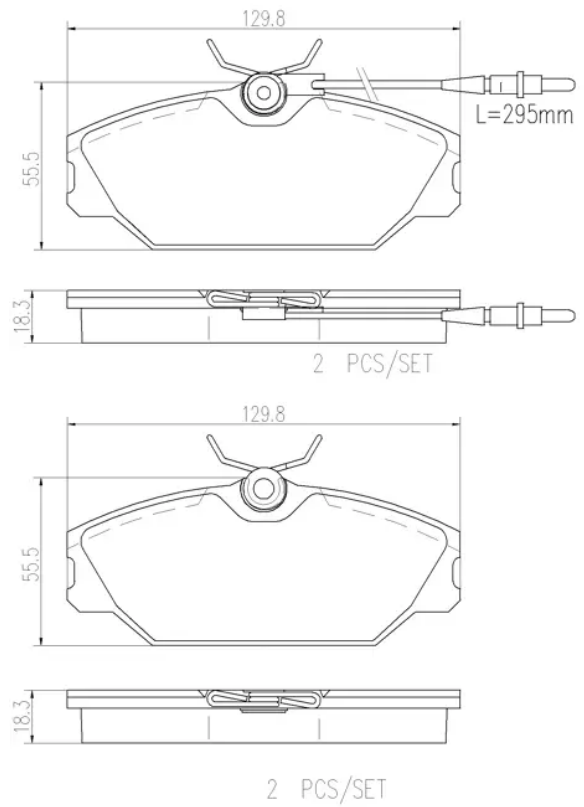
Height
56 mm

Braking system
Girling

Wear indicator
Electric

WVA number
21388,20919

Accessories
**With accessories
With brake caliper
bolts
With anti-squeal
shim**



COMPATIBLE VEHICLES

COMPATIBLE OE PART NUMBERS

32321800	DAEWOO
410601531R	RENAULT
6000008895	RENAULT
7701202050	RENAULT
7701202896	RENAULT
7701202973	RENAULT
7701203070	RENAULT
7701203730	RENAULT
7701203968	RENAULT
7701204220	RENAULT
7701206288	RENAULT
7701209077	RENAULT
7702202050	RENAULT
8671004149	RENAULT
8671005931	RENAULT
8671016175	RENAULT