



BRAKE PAD PRIME CERAMIC P78018N

The P78018N NAO brake pad is synonymous with reliability

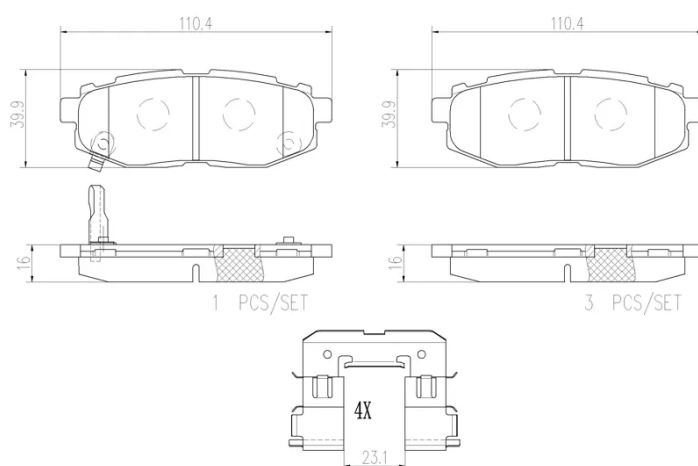
Brembo NAO brake pads stand out for their ultimate braking comfort, reduced friction wear and low dust mission, which makes for cleaner rims and reduced maintenance requirements. The advanced friction material in keeping with the strictest environmental standards is the main distinguishing feature of NAO compounds.

- ✓ OE-equivalent
- ✓ Brembo quality
- ✓ Safety
- ✓ Comfort
- ✓ Durability
- ✓ Dust reduction
- ✓ With accessories



Technical specifications

EAN code 8020584080382	Axle Rear	Thickness 16 mm
Width 110 mm	Height 40 mm	Braking system NBK
Wear indicator Acoustic	WVA number 24854,24855	Accessories With anti-squeal shim



COMPATIBLE VEHICLES

COMPATIBLE OE PART NUMBERS

26696CA000 SUBARU

26696CC000 SUBARU

26696SG000 SUBARU

26696XA000 SUBARU

26696XA010 SUBARU

26696XA011 SUBARU

SU00304325 TOYOTA

SU00310628 TOYOTA
