



# BRAKE PAD NAO P83102N

The P83102N NAO brake pad is synonymous with reliability

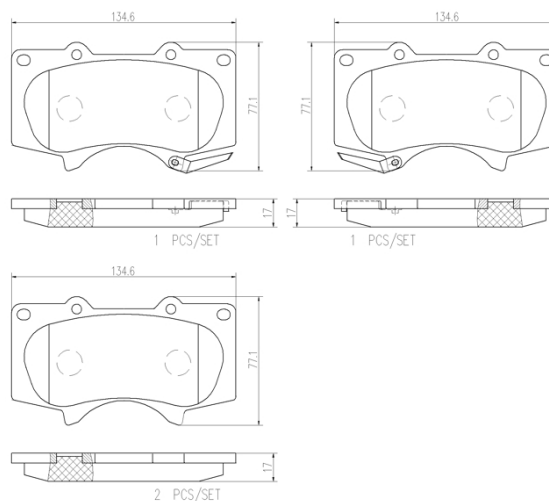
Brembo NAO brake pads stand out for their ultimate braking comfort, reduced friction wear and low dust mission, which makes for cleaner rims and reduced maintenance requirements. The advanced friction material in keeping with the strictest environmental standards is the main distinguishing feature of NAO compounds.

- ✓ OE-equivalent
- ✓ Brembo quality
- ✓ Safety
- ✓ Comfort
- ✓ Durability
- ✓ Dust reduction
- ✓ With accessories



## Technical specifications

EAN code <b>8020584085516</b>	Axle <b>Front</b>	Thickness <b>17 mm</b>
Width <b>135 mm</b>	Height <b>77 mm</b>	Braking system <b>Sumitomo</b>
Wear indicator <b>Acoustic</b>	WVA number <b>24024,24026,24025</b>	Accessories <b>With anti-squeal shim</b>



COMPATIBLE VEHICLES

## COMPATIBLE OE PART NUMBERS

0446504090 TOYOTA

---

044650K280 TOYOTA

---

044650K360 TOYOTA

---

044650K370 TOYOTA

---

044650K390 TOYOTA

---

044650K400 TOYOTA

---

044650K401 TOYOTA

---

044650K410 TOYOTA

---

044650K580 TOYOTA

---

044650K590 TOYOTA

---

0446535290 TOYOTA

---

0446535330 TOYOTA

---

0446560270 TOYOTA

---

0446560320 TOYOTA

---

04465YZZDG TOYOTA

---