



BRAKE PAD PRIME CERAMIC P83121N

The P83121N NAO brake pad is synonymous with reliability

Brembo NAO brake pads stand out for their ultimate braking comfort, reduced friction wear and low dust mission, which makes for cleaner rims and reduced maintenance requirements. The advanced friction material in keeping with the strictest environmental standards is the main distinguishing feature of NAO compounds.

- ✓ OE-equivalent
- ✓ Brembo quality
- ✓ Safety
- ✓ Comfort
- ✓ Durability
- ✓ Dust reduction
- ✓ With accessories

Technical specifications

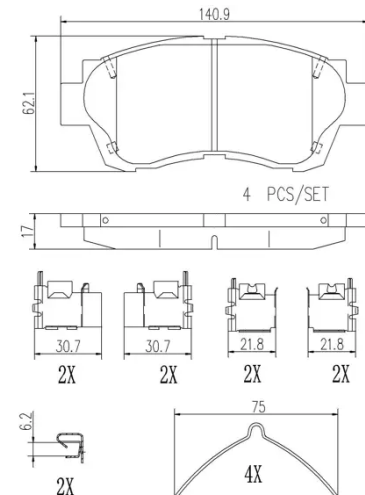
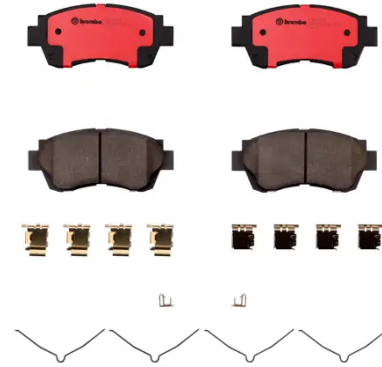
EAN code Thickness
8020584099889 **17 mm**

Width Height
141 mm **62 mm**

Braking system
Sumitomo

Wear indicator WVA number
Acoustic **21791**

Accessories
With accessories
With anti-squeal shim



COMPATIBLE VEHICLES