



BRAKE PAD

P 24 199

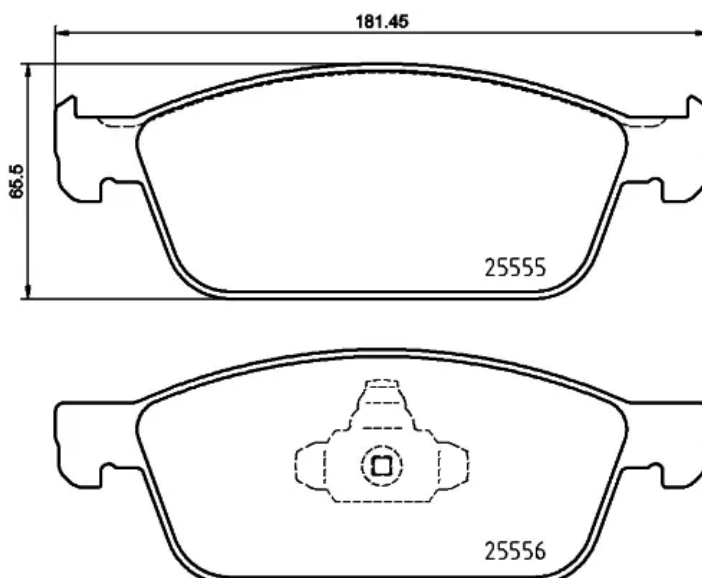
The P 24 199 brake pad is synonymous with reliability

The Brembo brake pad guarantees ultimate safety when braking thanks to the use of more than 100 different compounds, designed according to the type of vehicle and use. Stopping distances reduced to a minimum, maximum driving comfort and silent operation are the most important features of Brembo materials. Brembo brake pads are supplied together with an extensive range of accessories and assembly kits for professional-standard installation.

- ✓ OE-equivalent
- ✓ Brembo quality
- ✓ ECE-R90 certificate
- ✓ Safety
- ✓ Performance
- ✓ Comfort

Technical specifications

EAN code	Axle	Thickness
8020584084649	Front	18 mm
Width	Height	Braking system
180 mm	63 mm	Teves
Wear indicator	WVA number	Accessories
Without	25555,25556	With piston clip



COMPATIBLE OE PART NUMBERS

1882108 FORD

2005900 FORD

2075482 FORD

2076355 FORD

2101703 FORD

5181461 FORD

CV612001BD FORD

CV612001BE FORD

CV612001CB FORD

CV612001CC FORD

CV612001CD FORD

CV612001CE FORD

CV612001MA FORD
