



# BRAKE PAD

## P 24 217

The P 24 217 brake pad is synonymous with reliability

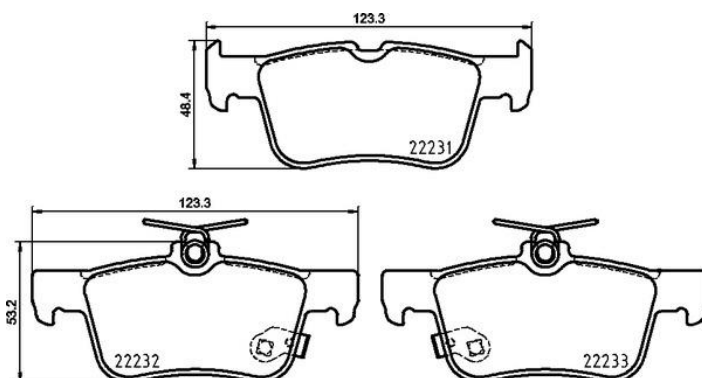
The Brembo brake pad guarantees ultimate safety when braking thanks to the use of more than 100 different compounds, designed according to the type of vehicle and use. Stopping distances reduced to a minimum, maximum driving comfort and silent operation are the most important features of Brembo materials. Brembo brake pads are supplied together with an extensive range of accessories and assembly kits for professional-standard installation.

- ✓ OE-equivalent
- ✓ Brembo quality
- ✓ ECE-R90 certificate
- ✓ Safety
- ✓ Performance
- ✓ Comfort



### Technical specifications

EAN code	Axle	Thickness
<b>8020584113110</b>	<b>Rear</b>	<b>14 mm</b>
Width	Height	Braking system
<b>123 mm</b>	<b>48 mm</b>	<b>ATE</b>
Wear indicator	WVA number	
<b>Acoustic</b>	<b>22232,22233,22231</b>	



COMPATIBLE VEHICLES

## COMPATIBLE OE PART NUMBERS

2209329 FORD

---

2247444 FORD

---

2367295 FORD

---

2379248 FORD

---

2433333 FORD

---

2493719 FORD

---

2494035 FORD

---

BRF1954 FORD

---

JX6Z2200D FORD

---

JX6Z2200E FORD

---

KTJ1GC2M007AC FORD

---

KTJX612M007ACC FORD

---

KTJX612M007AEB FORD

---

KTJX612M007AEC FORD

---

KTJX612M007AED FORD

---

KTJX6612M007AED FORD

---

KTLX612M007BEA FORD

---