



BRAKE PAD XTRA

P 30 018X

The P 30 018X Xtra brake pad is synonymous with reliability

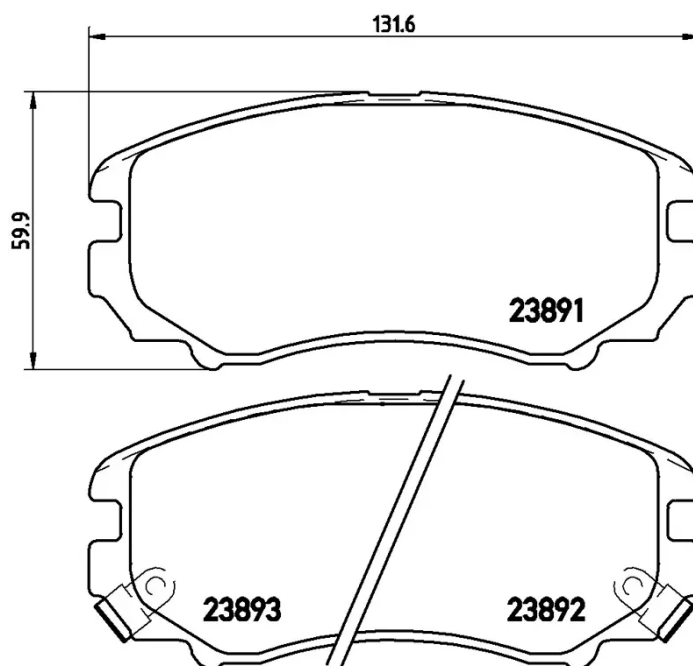
Brembo Xtra brake pads, developed to enhance the advantages of the Xtra and Max discs, are made using the special BRM X L01 compound which consists of more than 30 different components. Compared with the compound used for original-equivalent pads, the new solution assures a higher friction coefficient, which translates to more precise and stable braking, at both high and low temperatures. All this makes for greater driving comfort and improved pedal modularity, without compromising the product's mileage output.

- ✓ OE-equivalent
- ✓ Brembo quality
- ✓ ECE-R90 certificate
- ✓ Safety
- ✓ Performance
- ✓ Sports driving



Technical specifications

EAN code	Axle	Thickness
8020584068854	Front	17 mm
Width	Height	Braking system
132 mm	60 mm	Mando
Wear indicator	WVA number	Accessories
Acoustic	23892,23893,23891	With anti-squeal shim



COMPATIBLE OE PART NUMBERS

3501130140W01	CHANGAN
3501130240W01	CHANGAN
51010620300	CHANGAN
51010620301	CHANGAN
T1C3501080	CHERY
22922074	CHEVROLET (SGM)
3501500FB01	FENGON
3501500SC01	FENGON
3501531FB01	FENGON
581010SA40	HORKI (DYK)
581011FA50	HYUNDAI
581012CA10	HYUNDAI
581012CA11	HYUNDAI
581012CA20	HYUNDAI
581012EA10	HYUNDAI
581012EA11	HYUNDAI
581012EA20	HYUNDAI
581012EA21	HYUNDAI
581012GA01	HYUNDAI
581012HA00	HYUNDAI
581012HA10	HYUNDAI
5810138A80	HYUNDAI
5810138A81	HYUNDAI
5810138A90	HYUNDAI
581013KA01	HYUNDAI
581013KA50	HYUNDAI
581013KA61	HYUNDAI
581014QA00	HYUNDAI
581013KA60	HYUNDAI (BEIJING)
58101C3A00	HYUNDAI (BEIJING)
H5810138A90	HYUNDAI (BEIJING)
581011FE00	KIA
581011FE01	KIA
581012KA00	KIA
581012KA10	KIA
581012KA51	KIA
581013CA70	KIA
581013CA80	KIA
S581011FE01	KIA
581012XA00	KIA (DYK)
58101D6A20	KIA (DYK)
3501130W01	LANDWIND (JMC)