



BRAKE PAD

P 30 051

The P 30 051 brake pad is synonymous with reliability

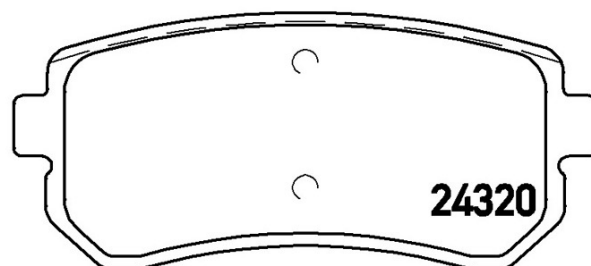
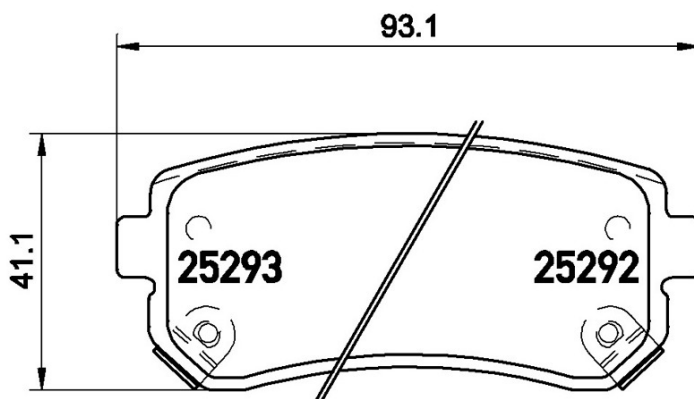
The Brembo brake pad guarantees ultimate safety when braking thanks to the use of more than 100 different compounds, designed according to the type of vehicle and use. Stopping distances reduced to a minimum, maximum driving comfort and silent operation are the most important features of Brembo materials. Brembo brake pads are supplied together with an extensive range of accessories and assembly kits for professional-standard installation.



- ✓ OE-equivalent
- ✓ Brembo quality
- ✓ ECE-R90 certificate
- ✓ Safety
- ✓ Performance
- ✓ Comfort
- ✓ With accessories

Technical specifications

EAN code 8020584103081	Axle Rear	Thickness 16 mm
Width 93 mm	Height 41 mm	Braking system Mando
Wear indicator Acoustic	WVA number 24320,25292,25293	Accessories With accessories



COMPATIBLE OE PART NUMBERS

B3110560400	CHANGAN
B3110560401	CHANGAN
C2010710700	CHANGAN
C2010710701	CHANGAN
583021HA00	HYUNDAI
583021HA10	HYUNDAI
583021YA30	HYUNDAI
583022LA00	HYUNDAI
583022LA31	HYUNDAI
583022LA40	HYUNDAI
583022SA00	HYUNDAI
583022SA30	HYUNDAI
583022SA35	HYUNDAI
583022SA70	HYUNDAI
583022YA30	HYUNDAI
583022YA31	HYUNDAI
583022YA50	HYUNDAI
583022YA70	HYUNDAI
583023SA20	HYUNDAI
583024WA10	HYUNDAI
58302BVA05	HYUNDAI
58302BVA30	HYUNDAI
583022ZA00	HYUNDAI (BEIJING)
583024VA30	HYUNDAI (BEIJING)
58302B3A00	HYUNDAI (BEIJING)
58302B3A50	HYUNDAI (BEIJING)
58302B3A70	HYUNDAI (BEIJING)
58302C9A30	HYUNDAI (BEIJING)
58302T9A00	HYUNDAI (BEIJING)
3504100U151001	JAC
583021HA00	KIA
583021MA00	KIA
583021MA40	KIA
583021YA30	KIA
583022SA10	KIA
583022YA30	KIA
583023RA05	KIA
583023RA60	KIA
58302B3A00	KIA
58302C9A30	KIA
58302D5A30	KIA
5583022SA30	KIA
58302B3A00	KIA (DYK)
58302B3A50	KIA (DYK)
58302B3A70	KIA (DYK)

58302C9A30

KIA (DYK)

58302Q2A00

KIA (DYK)

K58302Q2A00

KIA (DYK)
