



# BRAKE PAD

## P 30 098

The P 30 098 brake pad is synonymous with reliability

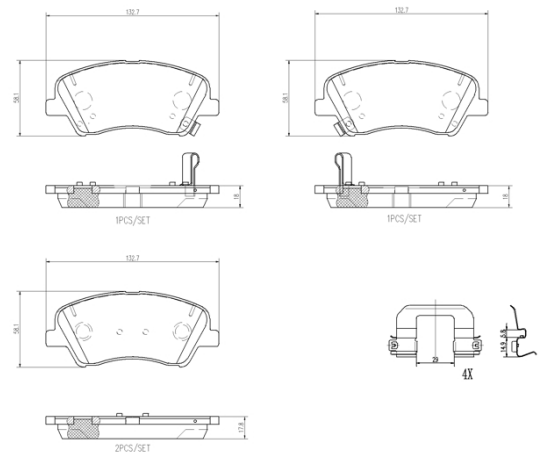
The Brembo brake pad guarantees ultimate safety when braking thanks to the use of more than 100 different compounds, designed according to the type of vehicle and use. Stopping distances reduced to a minimum, maximum driving comfort and silent operation are the most important features of Brembo materials. Brembo brake pads are supplied together with an extensive range of accessories and assembly kits for professional-standard installation.

- ✓ OE-equivalent
- ✓ Brembo quality
- ✓ ECE-R90 certificate
- ✓ Safety
- ✓ Performance
- ✓ Comfort
- ✓ With accessories



### Technical specifications

EAN code <b>8020584069547</b>	Axle <b>Front</b>	Thickness <b>18 mm</b>
Width <b>133 mm</b>	Height <b>58 mm</b>	Braking system <b>Akebono</b>
Wear indicator <b>Acoustic</b>	WVA number <b>22227,22229,22228</b>	Accessories <b>With anti-squeal shim</b> <b>With accessories</b>



COMPATIBLE VEHICLES

## COMPATIBLE OE PART NUMBERS

58101Q0A00	HYUNDAI
------------	---------

---

58101H8A50	KIA
------------	-----

---

58101H8A53	KIA
------------	-----

---

58101H8A55	KIA
------------	-----

---

58101H8A58	KIA
------------	-----

---