



BRAKE PAD

P 30 104

The P 30 104 brake pad is synonymous with reliability

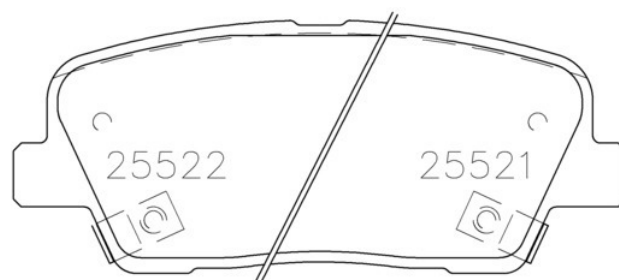
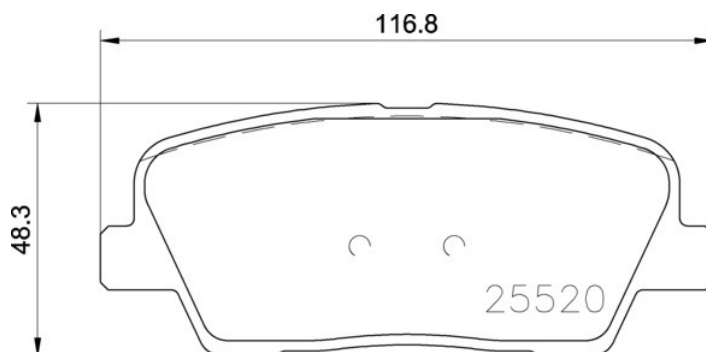
The Brembo brake pad guarantees ultimate safety when braking thanks to the use of more than 100 different compounds, designed according to the type of vehicle and use. Stopping distances reduced to a minimum, maximum driving comfort and silent operation are the most important features of Brembo materials. Brembo brake pads are supplied together with an extensive range of accessories and assembly kits for professional-standard installation.



- ✓ OE-equivalent
- ✓ Brembo quality
- ✓ ECE-R90 certificate
- ✓ Safety
- ✓ Performance
- ✓ Comfort
- ✓ With accessories

Technical specifications

EAN code 8020584115046	Axle Rear	Thickness 16 mm
Width 117 mm	Height 48 mm	Braking system Mando
Wear indicator Acoustic	WVA number 25520,25521,25522	Accessories With anti-squeal shim With accessories





COMPATIBLE OE PART NUMBERS

58302G9A20	KIA
------------	-----

58302J5A00	KIA
------------	-----

58302J5A51	KIA
------------	-----
