



BRAKE PAD

P 30 124

The P 30 124 brake pad is synonymous with reliability

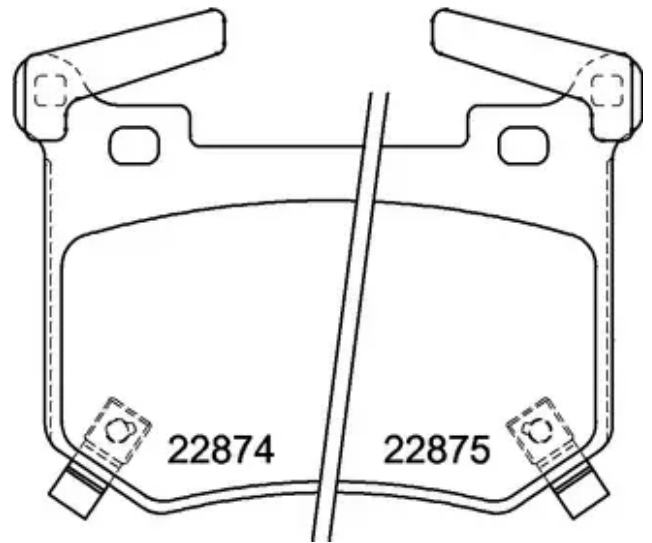
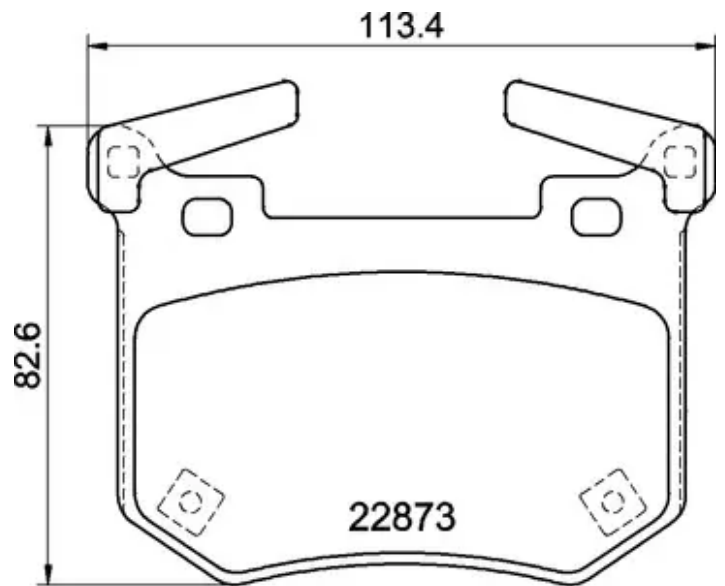
The Brembo brake pad guarantees ultimate safety when braking thanks to the use of more than 100 different compounds, designed according to the type of vehicle and use. Stopping distances reduced to a minimum, maximum driving comfort and silent operation are the most important features of Brembo materials. Brembo brake pads are supplied together with an extensive range of accessories and assembly kits for professional-standard installation.

- ✓ OE-equivalent
- ✓ Brembo quality
- ✓ ECE-R90 certificate
- ✓ Safety
- ✓ Performance
- ✓ Comfort



Technical specifications

| | | |
|----------------|-------------------|--|
| EAN code | Axle | Thickness |
| 8020584119211 | Rear | 15 mm |
| Width | Height | Braking system |
| 113 mm | 91 mm | Brembo |
| Wear indicator | WVA number | Accessories |
| Acoustic | 22875,22873,22874 | With anti-squeal shim With counterweights |



COMPATIBLE VEHICLES

COMPATIBLE OE PART NUMBERS

| | |
|------------|-----|
| 58302J5A50 | KIA |
| 58302J5A55 | KIA |