



# BRAKE PAD

## P 30 140

The P 30 140 brake pad is synonymous with reliability

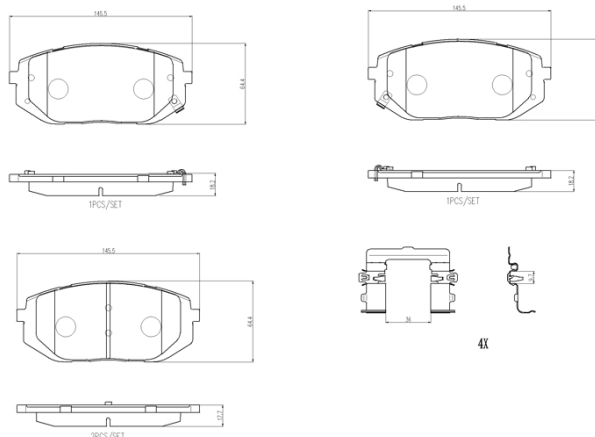
The Brembo brake pad guarantees ultimate safety when braking thanks to the use of more than 100 different compounds, designed according to the type of vehicle and use. Stopping distances reduced to a minimum, maximum driving comfort and silent operation are the most important features of Brembo materials. Brembo brake pads are supplied together with an extensive range of accessories and assembly kits for professional-standard installation.



- ✓ OE-equivalent
- ✓ Brembo quality
- ✓ ECE-R90 certificate
- ✓ Safety
- ✓ Performance
- ✓ Comfort

### Technical specifications

EAN code	Axle	Thickness
<b>8020584124321</b>	<b>Front</b>	<b>18 mm</b>
Width	Height	
<b>146 mm</b>	<b>64 mm</b>	
Wear indicator	WVA number	
<b>Acoustic</b>	<b>26494,26495,26493</b>	



COMPATIBLE VEHICLES

## COMPATIBLE OE PART NUMBERS

58101GIA00	HYUNDAI
58101GIA60	HYUNDAI
58101N7A10	HYUNDAI
58101N9A10	HYUNDAI
58101N9A11	HYUNDAI
58101L4A10	HYUNDAI (BEIJING)
58101GIA60	KIA