



BRAKE PAD XTRA P 85 113X

The P 85 113X Xtra brake pad is synonymous with reliability

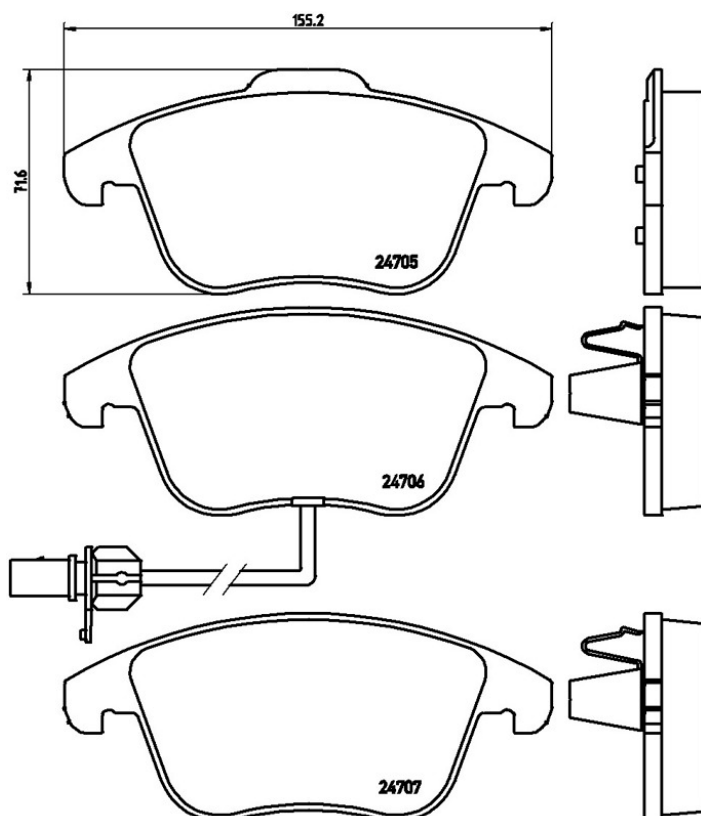
Brembo Xtra brake pads, developed to enhance the advantages of the Xtra and Max discs, are made using the special BRM X L01 compound which consists of more than 30 different components. Compared with the compound used for original-equivalent pads, the new solution assures a higher friction coefficient, which translates to more precise and stable braking, at both high and low temperatures. All this makes for greater driving comfort and improved pedal modularity, without compromising the product's mileage output.



- ✓ OE-equivalent
- ✓ Brembo quality
- ✓ ECE-R90 certificate
- ✓ Safety
- ✓ Performance
- ✓ Sports driving

Technical specifications

EAN code	Axle	Thickness
8020584069370	Front	20 mm
Width	Height	Braking system
155 mm	66 mm	Teves
Wear indicator	WVA number	
Electric	24333,24706,24332	



COMPATIBLE OE PART NUMBERS

8K0698151A	AUDI
8K0698151F	AUDI
8K0698151P	AUDI
L8K0698151A	AUDI (FAW)
L8K0698151F	AUDI (FAW)
8K0698151A	SEAT
8K0698151F	SEAT
8K0698151A	SKODA
8K0698151F	SKODA
8K0098301F	VW
8K0698151A	VW
8K0698151F	VW