



SPORT | TY3 BRAKE DISC

59.E116.05

The 59.E116.05 brake disc is synonymous with reliability

Type-3 slotting used to distinguish the Brembo SPORT | TY3 brake disc is widely used in professional motorsports. It therefore offers superior initial response with excellent release characteristics, improving braking performance while giving the vehicle an aggressive appearance. The Brembo logo on the braking surface adds an exclusive and unique touch to the vehicle. The SPORT | TY3 brake discs are plug-and-play since they replace OE discs directly.

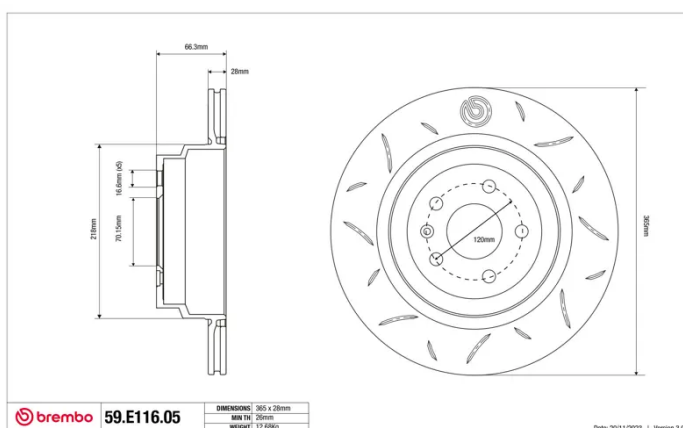
- ✓ OE-equivalent
- ✓ Brembo quality
- ✓ ECE-R90 certificate
- ✓ Safety
- ✓ Performance
- ✓ Comfort
- ✓ Sports driving
- ✓ Sparty look



Technical specifications



Diameter	Thickness (TH)	Height (A)
365 mm	28 mm	66 mm
Number of holes (C)	Brake disc type	Centering
5	Solid	70 mm
Min. thickness	Axle	
26 mm	Rear	
Units per box	EAN code	
1	8020584606780	



59.E116.05	DIMENSIONE: 365 x 28mm
	MIN TH: 26mm
	WEIGHT: 12.88Kg

Date: 2011/2023 | Version: 3.00

