



BRAKE DISC

08.A202.10

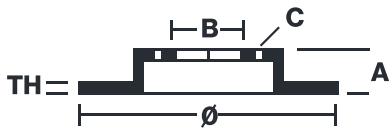
The **08.A202.10** brake disc is synonymous with reliability

The Brembo brake disc is fully interchangeable with an Original Equipment brake disc. The control of the entire production cycle allows Brembo to offer brake discs with outstanding performance levels, reliability, durability and comfort in all conditions of use. All Brembo brake discs are accompanied by the ECE-R90 homologation.

- ✓ OE-equivalent
- ✓ Brembo quality
- ✓ ECE-R90 certificate
- ✓ Safety
- ✓ Fastening screws



Technical specifications



EAN code
8020584015889

Axle
Rear

Diameter \varnothing
282 mm

Thickness (TH)
12 mm

Height (A)
48 mm

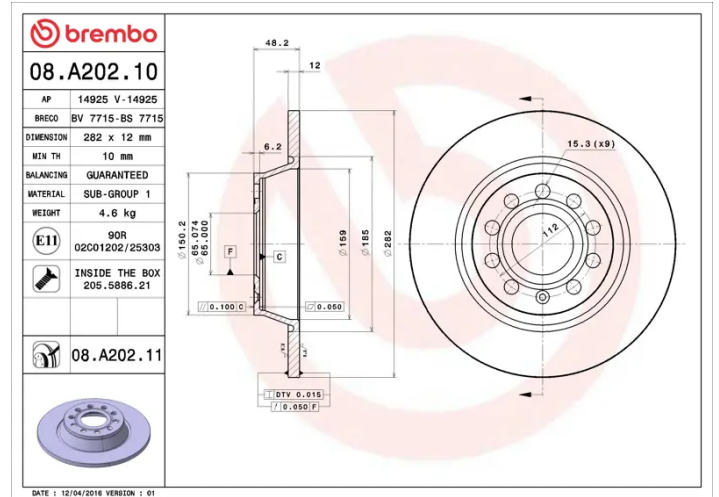
Number of holes (C)
5

Brake disc type
Solid

Centering (B)
65 mm

Min. thickness
10 mm

Tightening torque
120 Nm



COMPATIBLE OE PART NUMBERS

1K0615601AD	AUDI
-------------	------

1K0615601M	AUDI
------------	------

5Q0615601G	AUDI
------------	------

L3CD615601	AUDI (FAW)
------------	------------

1K0615601AD	SEAT
-------------	------

1K0615601M	SEAT
------------	------

5Q0615601G	SEAT
------------	------

1K0615601AD	SKODA
-------------	-------

1K0615601M	SKODA
------------	-------

5Q0615601G	SKODA
------------	-------

5Q0615601Q	SKODA
------------	-------

JZW615601F	SKODA
------------	-------

1K0615601AD	SKODA (SVW)
-------------	-------------

3CD615601	SKODA (SVW)
-----------	-------------

1K0615601AD	VW
-------------	----

1K0615601M	VW
------------	----

5Q0615601G	VW
------------	----

JZW615601F	VW
------------	----

3CD615601	VW (FAW)
-----------	----------

L3CD615601	VW (FAW)
------------	----------

3CD615601	VW (SVW)
-----------	----------