

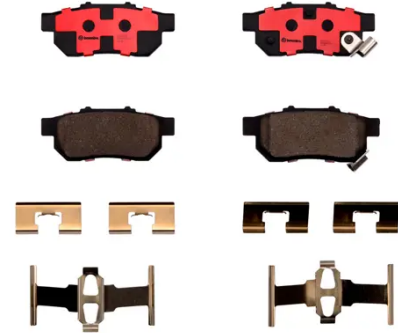


BRAKE PAD PRIME CERAMIC P28025N

The P28025N NAO brake pad is synonymous with reliability

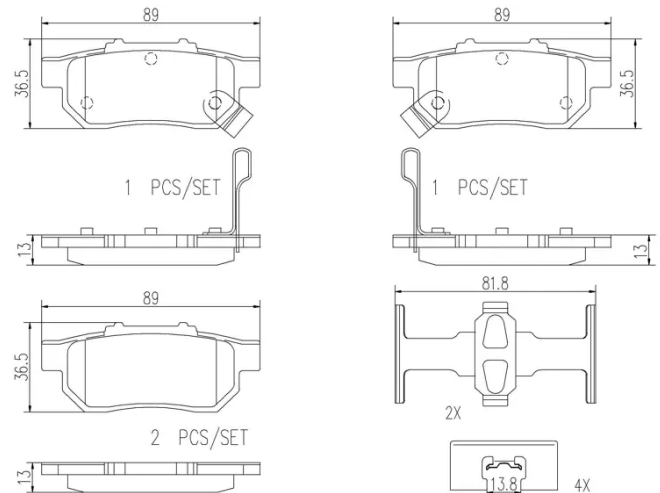
Brembo NAO brake pads stand out for their ultimate braking comfort, reduced friction wear and low dust mission, which makes for cleaner rims and reduced maintenance requirements. The advanced friction material in keeping with the strictest environmental standards is the main distinguishing feature of NAO compounds.

- ✓ OE-equivalent
- ✓ Brembo quality
- ✓ Safety
- ✓ Comfort
- ✓ Durability
- ✓ Dust reduction
- ✓ With accessories



Technical specifications

EAN code 8020584097656	Axle Rear	Thickness 13 mm
Width 89 mm	Height 37 mm	Braking system Akebono
Wear indicator Acoustic	WVA number 23344,21738,23343	Accessories With anti-squeal shim



COMPATIBLE VEHICLES

COMPATIBLE OE PART NUMBERS

06430SAAE50	HONDA
-------------	-------

43022S04E03	HONDA
-------------	-------

43022S04E00	HONDA
-------------	-------

43022S04E01	HONDA
-------------	-------

43022S04E02	HONDA
-------------	-------

43022S04E03	HONDA
-------------	-------

43022SAAE51	HONDA
-------------	-------

43022SAAJ51	HONDA
-------------	-------

43022S04E02	HONDA
-------------	-------

43022S04E03	HONDA
-------------	-------

43022SR2010	HONDA
-------------	-------

43022SR2020	HONDA
-------------	-------

43022SR2030	HONDA
-------------	-------

43022SR2040	HONDA
-------------	-------

43022SR3G00	HONDA
-------------	-------

43022SR3G01	HONDA
-------------	-------

43022TARG00	HONDA
-------------	-------

43022TF0305	HONDA
-------------	-------

43022TF0G00	HONDA
-------------	-------

43022TF0G01	HONDA
-------------	-------

43022TG0T00	HONDA
-------------	-------

43022TM0G00	HONDA
-------------	-------

5860051480	ISUZU
------------	-------

5860051490	ISUZU
------------	-------

5860091630	ISUZU
------------	-------

5860095750	ISUZU
------------	-------

5860177980	ISUZU
------------	-------

5860195200	ISUZU
------------	-------