

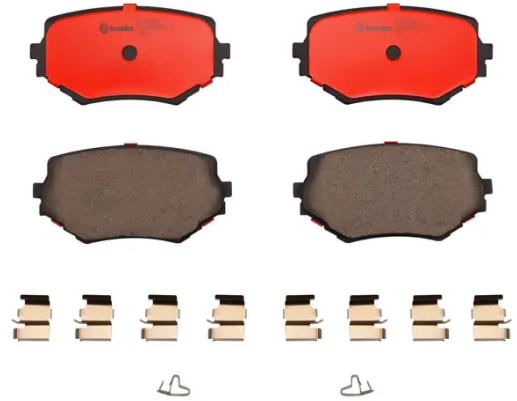


# BRAKE PAD PRIME CERAMIC P79009N

**The P79009N NAO brake pad is synonymous with reliability**

Brembo NAO brake pads stand out for their ultimate braking comfort, reduced friction wear and low dust mission, which makes for cleaner rims and reduced maintenance requirements. The advanced friction material in keeping with the strictest environmental standards is the main distinguishing feature of NAO compounds.

- ✓ OE-equivalent
- ✓ Brembo quality
- ✓ Safety
- ✓ Comfort
- ✓ Durability
- ✓ Dust reduction
- ✓ With accessories



## Technical specifications

EAN code  
**8020584099452**

Axle  
**Front**

Thickness  
**15 mm**

Width  
**110 mm**

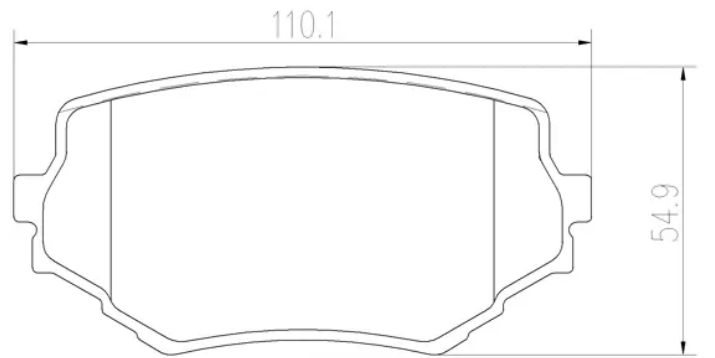
Height  
**55 mm**

Braking system  
**Sumitomo**

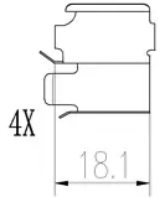
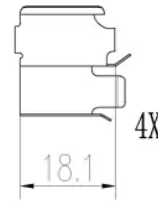
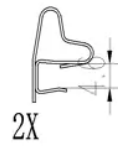
Wear indicator  
**Acoustic**

WVA number  
**23314**

Accessories  
**With anti-squeal shim**



4 PCS/SET



COMPATIBLE VEHICLES

## COMPATIBLE OE PART NUMBERS

1A503323Z MAZDA

1A523323Z MAZDA

1A523323ZA MAZDA

1V6L3328ZA MAZDA

5520065D10 SUZUKI

5520065D10000 SUZUKI

5520065D11 SUZUKI

5520065D11000 SUZUKI

5520065D30 SUZUKI

5520065D30000 SUZUKI

5520065D31 SUZUKI

5520065D31000 SUZUKI

5520065D32 SUZUKI

5520065D50 SUZUKI

5520065D50000 SUZUKI

5520065D51 SUZUKI

5520065D51000 SUZUKI

5520065DB2 SUZUKI

5520065DB4 SUZUKI

5520065DB4000 SUZUKI

5520077 SUZUKI

55200770 SUZUKI

5520077B00 SUZUKI

5520077B00000 SUZUKI

5520077E00 SUZUKI

5520077E00000 SUZUKI

5520077E01 SUZUKI

5520077E01000 SUZUKI