



# BRAKE PAD

## P 06 039

The P 06 039 brake pad is synonymous with reliability

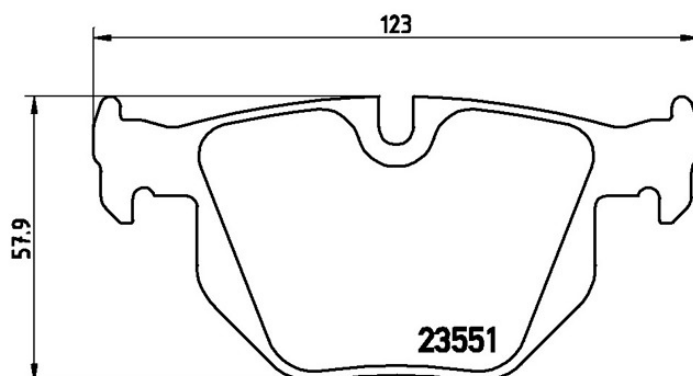
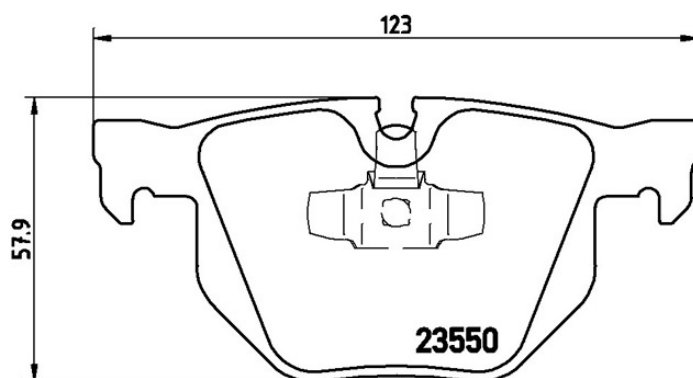
The Brembo brake pad guarantees ultimate safety when braking thanks to the use of more than 100 different compounds, designed according to the type of vehicle and use. Stopping distances reduced to a minimum, maximum driving comfort and silent operation are the most important features of Brembo materials. Brembo brake pads are supplied together with an extensive range of accessories and assembly kits for professional-standard installation.

- ✓ OE-equivalent
- ✓ Brembo quality
- ✓ ECE-R90 certificate
- ✓ Safety
- ✓ Performance
- ✓ Comfort



### Technical specifications

EAN code	Axle	Thickness
<b>8020584059371</b>	<b>Rear</b>	<b>17 mm</b>
Width	Height	Braking system
<b>123 mm</b>	<b>58 mm</b>	<b>Teves</b>
Wear indicator	WVA number	Accessories
<b>Prepared for wear indicator</b>	<b>23550,23551</b>	<b>With piston clip</b>



COMPATIBLE VEHICLES

COMPATIBLE OE PART NUMBERS

34121288895	BMW
34121288896	BMW
34212288895	BMW
34212288896	BMW
34216769105	BMW
34216775678	BMW
34216790762	BMW
34216791938	BMW