



BRAKE PAD

P 30 036

The P 30 036 brake pad is synonymous with reliability

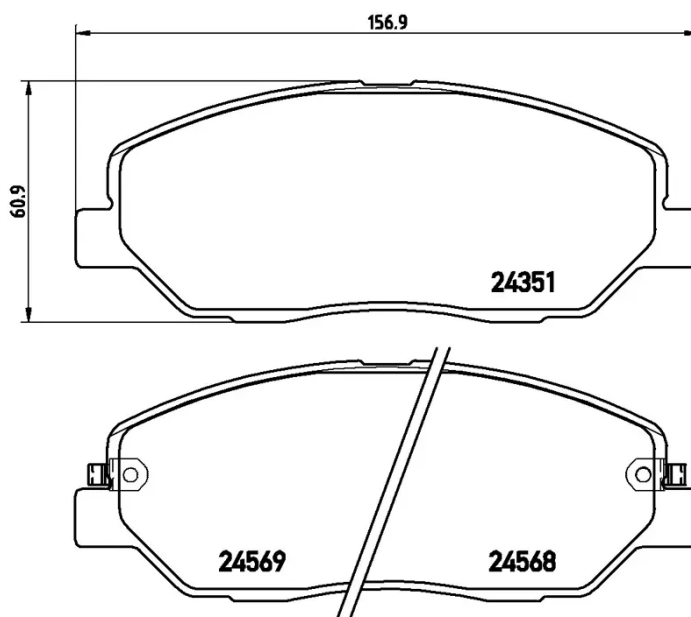
The Brembo brake pad guarantees ultimate safety when braking thanks to the use of more than 100 different compounds, designed according to the type of vehicle and use. Stopping distances reduced to a minimum, maximum driving comfort and silent operation are the most important features of Brembo materials. Brembo brake pads are supplied together with an extensive range of accessories and assembly kits for professional-standard installation.



- ✓ OE-equivalent
- ✓ Brembo quality
- ✓ ECE-R90 certificate
- ✓ Safety
- ✓ Performance
- ✓ Comfort
- ✓ With accessories

Technical specifications

EAN code 8020584060742	Axle Front	Thickness 18 mm
Width 157 mm	Height 61 mm	Braking system Mando
Wear indicator Acoustic	WVA number 24351,24568,24569	Accessories With accessories With anti-squeal shim With piston clip



COMPATIBLE VEHICLES

COMPATIBLE OE PART NUMBERS

581010WA00 HYUNDAI

581012BA00 HYUNDAI

581012BA10 HYUNDAI

581012PA00 HYUNDAI

581012WA00 HYUNDAI

581012WA01 HYUNDAI

581012WA40 HYUNDAI

581012WA70 HYUNDAI

581012WA90 HYUNDAI

581013MA20 HYUNDAI

581014DU00 HYUNDAI

581012BA10 HYUNDAI

581012PA70 HYUNDAI

581012BA10 KIA

581012JA10 KIA

581012JA11 KIA

581012JA50 KIA

581012PA70 KIA

581014DA60 KIA

58101C0A00 KIA (DYK)

48130341A0 SSANGYONG

4813036B00 SSANGYONG

4813036B10 SSANGYONG

4813036C00 SSANGYONG

48130370B0 SSANGYONG

48130371B0 SSANGYONG
