



BRAKE PAD

P 50 059G

The P 50 059G brake pad is synonymous with reliability

The Brembo brake pad guarantees ultimate safety when braking thanks to the use of more than 100 different compounds, designed according to the type of vehicle and use. Stopping distances reduced to a minimum, maximum driving comfort and silent operation are the most important features of Brembo materials. Brembo brake pads are supplied together with an extensive range of accessories and assembly kits for professional-standard installation.

- ✓ OE-equivalent
- ✓ Brembo quality
- ✓ ECE-R90 certificate
- ✓ Safety
- ✓ Performance
- ✓ Comfort
- ✓ With accessories

Technical specifications

EAN code
8020584124956

Axle
Front

Thickness
21 mm

Width
169 mm

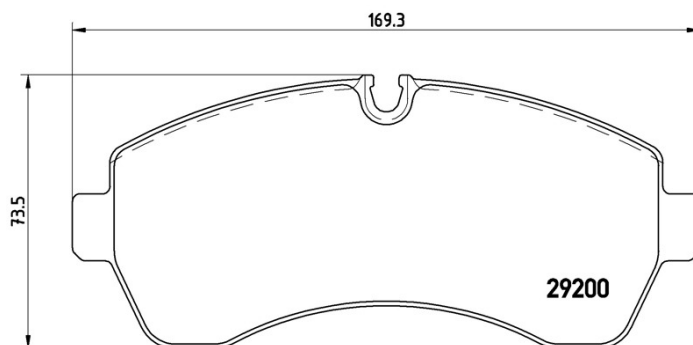
Height
74 mm

Braking system
Brembo

Wear indicator
Prepared for wear indicator

WVA number
29200

Accessories
**With accessories
With brake caliper bolts
With anti-squeal shim**



COMPATIBLE VEHICLES

COMPATIBLE OE PART NUMBERS

0044206820 MERCEDES-BENZ

0044208220 MERCEDES-BENZ

0054205320 MERCEDES-BENZ

9064200400 MERCEDES-BENZ

9064210300 MERCEDES-BENZ

9064210800 MERCEDES-BENZ

A0044206820 MERCEDES-BENZ

A0044208220 MERCEDES-BENZ

A0054205320 MERCEDES-BENZ

A9064210300 MERCEDES-BENZ

A9064210800 MERCEDES-BENZ

2E0698151A VW

2E0698151C VW

2E0698151F VW

2E0698151G VW

8E0698151E VW

JZW698151AA VW
