



SPORT | HP2 BRAKE PADS

07.B314.23

The **07.B314.23** brake pad is synonymous with reliability

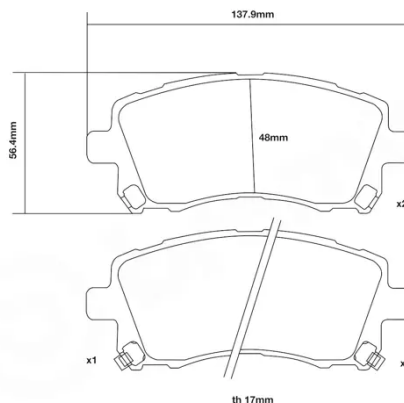
HP2 brake pads offer outstanding cold performance a good bite, superior fading resistance, and friction stability in all conditions and low dust levels. Thanks to the friction material, they provide significant advantages over their competitors. Designed to be interchangeable with original equipment brake pads (OE), they are approved to ECE-R90.

- ✓ OE-equivalent
- ✓ Brembo quality
- ✓ ECE-R90 certificate
- ✓ Safety
- ✓ Performance
- ✓ Comfort
- ✓ Sports driving
- ✓ Sporty look



Technical specifications

Width	Thickness	
138 mm	17 mm	
Wear indicator	WVA number	Axle
Acoustic	23558,23559,23560	Front and rear
EAN code		
8020584602126		



COMPATIBLE VEHICLES