



# BRAKE PAD NAO P83145N

The P83145N NAO brake pad is synonymous with reliability

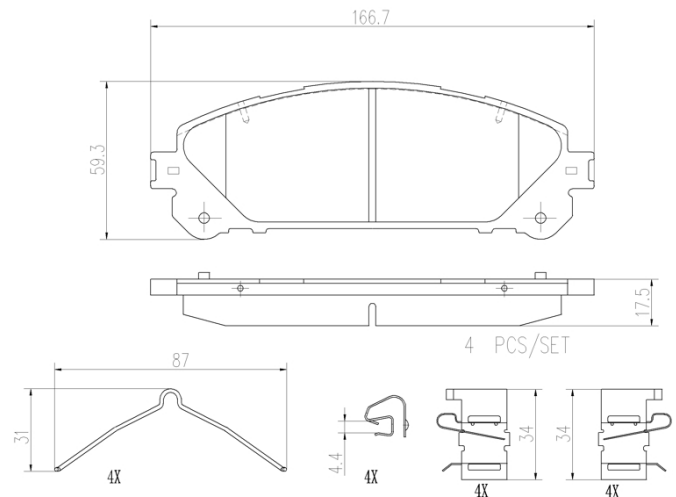
Brembo NAO brake pads stand out for their ultimate braking comfort, reduced friction wear and low dust mission, which makes for cleaner rims and reduced maintenance requirements. The advanced friction material in keeping with the strictest environmental standards is the main distinguishing feature of NAO compounds.

- ✓ OE-equivalent
- ✓ Brembo quality
- ✓ Safety
- ✓ Comfort
- ✓ Durability
- ✓ Dust reduction
- ✓ With accessories



## Technical specifications

EAN code <b>8020584085059</b>	Axle <b>Front</b>	Thickness <b>18 mm</b>
Width <b>167 mm</b>	Height <b>59 mm</b>	Braking system <b>Advics</b>
Wear indicator <b>Without</b>	WVA number <b>24452</b>	Accessories <b>With accessories With anti-squeal shim</b>



**COMPATIBLE VEHICLES**

## COMPATIBLE OE PART NUMBERS

0446502500	LEXUS
044650E010	LEXUS
044650E040	LEXUS
0446548150	LEXUS
044654815079	LEXUS
0446548160	LEXUS
0446548170	LEXUS
0446548180	LEXUS
0446548190	LEXUS
0446548210	LEXUS
0446548220	LEXUS
0446578010	LEXUS
044657801079	LEXUS
4465000000	LEXUS
0446502560	TOYOTA
044650E020	TOYOTA
044650E030	TOYOTA
044650W210	TOYOTA
0446533490	TOYOTA
0446533500	TOYOTA
0446548150	TOYOTA
0446548230	TOYOTA
0446578020	TOYOTA
04465WY020	TOYOTA
044650E020	TOYOTA (GAC)