



BRAKE DISC MAX

08.5334.75

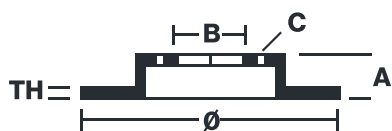
The 08.5334.75 Max brake disc is synonymous with reliability

The Brembo Max brake disc features grooves on the braking surface. The special shape of the grooves generates greater fading resistance and constant renewal of friction material, quickly restoring optimum braking conditions. The UV paint completes the sporty look.

- ✓ Brembo quality
- ✓ ECE-R90 certificate
- ✓ Performance
- ✓ Sports driving
- ✓ Sporty look
- ✓ Anti-corrosion
- ✓ Fastening screws



Technical specifications



EAN code
8020584533475

Axle
Rear

Diameter Ø
247 mm

Thickness (TH)
8 mm

Height (A)
25 mm

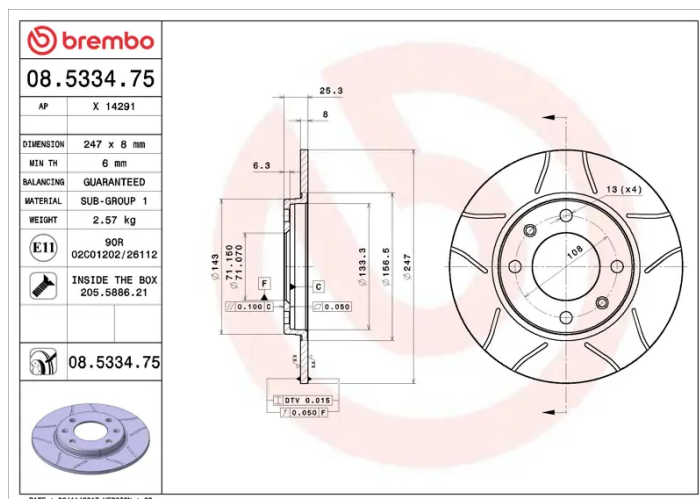
Number of holes (C)
4

Brake disc type
Solid

Centering (B)
71 mm

Min. thickness
6 mm

Tightening torque
85 Nm



COMPATIBLE VEHICLES

COMPATIBLE OE PART NUMBERS

1618860980	CITROËN
------------	---------

169115	CITROËN
--------	---------

4249F5	CITROËN
--------	---------

E169115	CITROËN
---------	---------

1618860980	PEUGEOT
------------	---------

4246G6	PEUGEOT
--------	---------

4249F5	PEUGEOT
--------	---------

E169115	PEUGEOT
---------	---------