



BRAKE DISC

08.6931.10

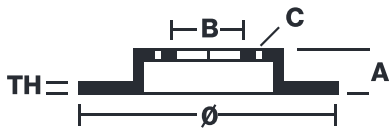
The **08.6931.10** brake disc is synonymous with reliability

The Brembo brake disc is fully interchangeable with an Original Equipment brake disc. The control of the entire production cycle allows Brembo to offer brake discs with outstanding performance levels, reliability, durability and comfort in all conditions of use. All Brembo brake discs are accompanied by the ECE-R90 homologation.

- ✓ OE-equivalent
- ✓ Brembo quality
- ✓ ECE-R90 certificate
- ✓ Safety
- ✓ Fastening screws



Technical specifications



EAN code
8020584693117

Axle
Rear

Diameter \varnothing
290 mm

Thickness (TH)
10 mm

Height (A)
60 mm

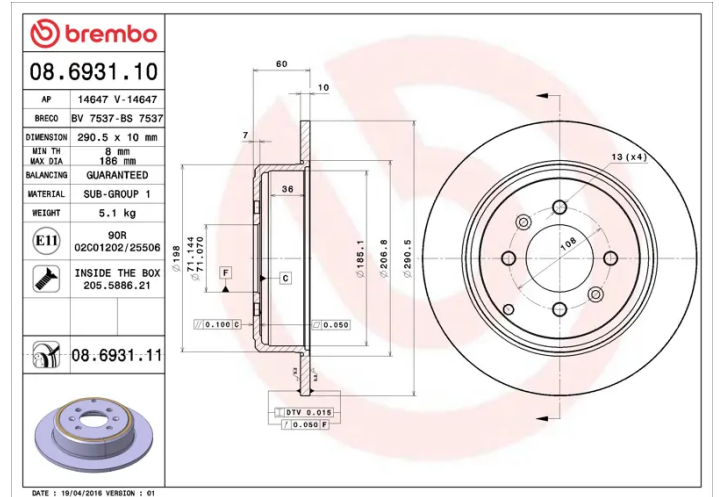
Number of holes (C)
4

Brake disc type
Solid

Centering (B)
71 mm

Min. thickness
8 mm

Tightening torque
90 Nm



COMPATIBLE OE PART NUMBERS

1618861380	PEUGEOT
------------	---------

1687778180	PEUGEOT
------------	---------

4246L7	PEUGEOT
--------	---------

4246T6	PEUGEOT
--------	---------

4246T7	PEUGEOT
--------	---------

E169124	PEUGEOT
---------	---------
